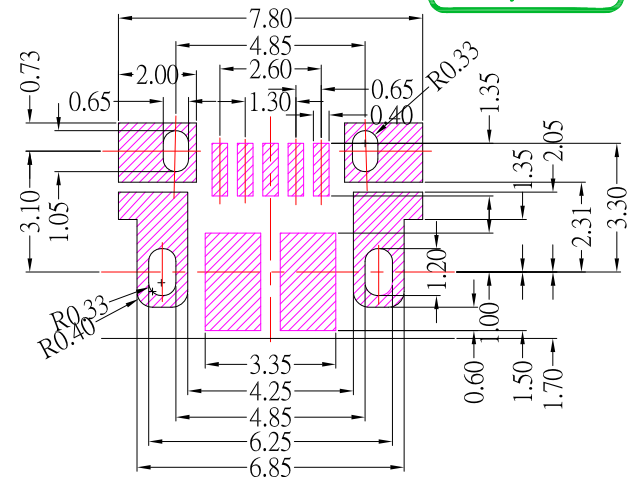
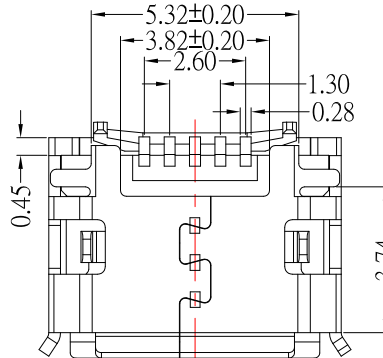
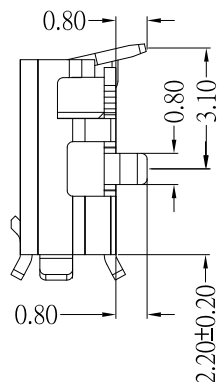
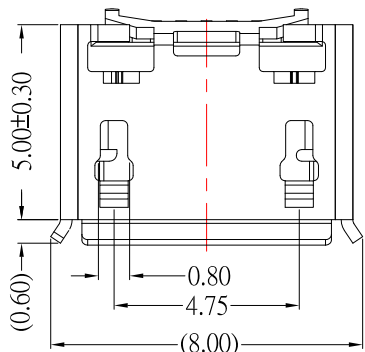
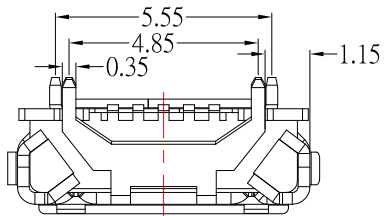




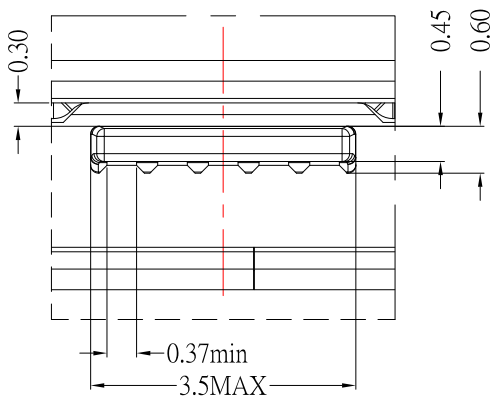
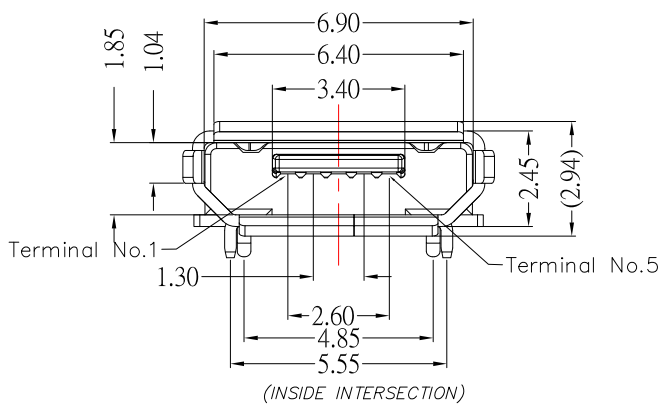
MRUSB-5B-D13xx-S347

Shell Material : SHELL 鍍層:

Blank : BRASS	TN
A : SUS	NI



P.C.B LAYOUT MOUNTING PATTERN



CONTACT AREA DETAIL VIEW

- NOTES:
- MATERIAL:
 - HOUSING: LCP
 - CONTACT: PHOSPHOR BRONZE
 - SHELL: BRASS / SUS
 - Finish:
 - Contact: Plated Gold in Mating Area ;
Gold Plated on Solder Balls ;
Nickel under plated overall
 - SHELL: NICKEL or TIN UNDER PLATED SURFACE LAYER
 - SPECIFICATION:
 - CURRENT RATING: 1.0 A Max
 - DIELECTRIC WITHSTANDING VOLTAGE: 100 V(ac) FOR 1min
 - CONTACT RESISTANCE: 30 mΩ MAX.
 - INSULATION RESISTANCE: 100 MΩ MIN.
 - TOTAL MATING FORCE: 3.57 Kgf MAX.
 - TOTAL UNMATING FORCE: 1.0 Kgf MIN.
 - TEMPERATURE RANGE: -30°C ~ +80°C

CONTACT 建倚科技股份有限公司
CONTACT TECHNOLOGY CORP.

TOLERANCE UNLESS OTHERWISE STATED:
 Up to 5 ±0.2
 Above 5 ~ 15 ±0.3
 Above 15 ~ 30 ±0.4
 Above 30 ~ 50 ±0.5
 Angle ±0.3

3RD. ANGEL'S



UNITS MM

DRAWN BY: Jack Lu
 CHECKED BY: Jacky Chen
 APPROVED BY: Tony Kao

DATE: 10/07/21
 DATE: 10/07/21
 DATE: 10/07/21

MAT'L		TITLE	CONNECTOR
FINISH		MODLE	MICRO USB 5P SMT 牛角型斜後蓋 PH:5.5-4.85mm
SCALE	1 : 1	DWG NO.	MRUSB-5B-D13xx-S347
SHEET NO.	1 of 1	PART NO.	MRUSB-5B-D13xx-S347

ITEM NO.	DESCRIPTION	DRAWN	DATE
3	更新樣式	Jack	100721
2	新增外殼材質選項	Jack	010918
1	更新為A0版	Jack	102616