

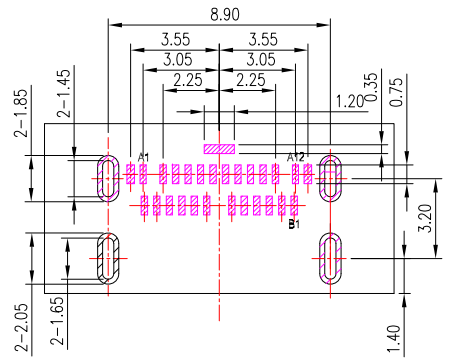
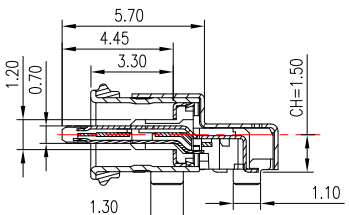
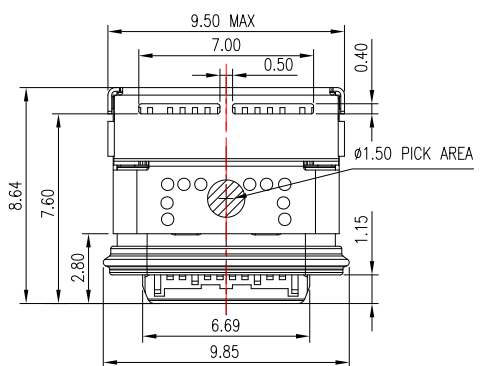
# SBC-WP240S3B-31x-S331

IP68



鍍層厚度:

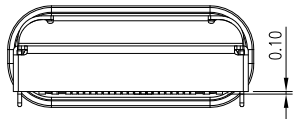
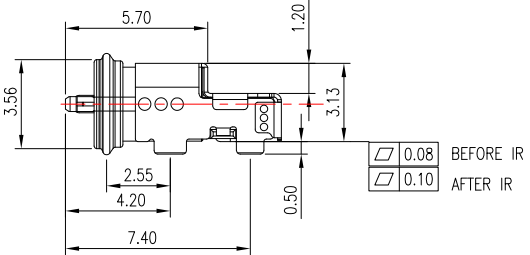
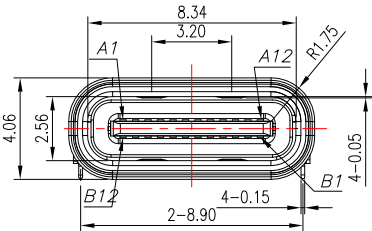
Blank : 1u"
2 : 15u"
3 : 30u"



PCB LAYOUT

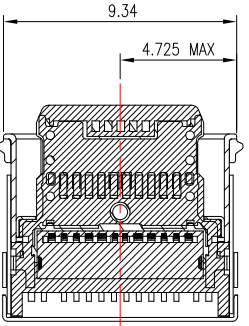
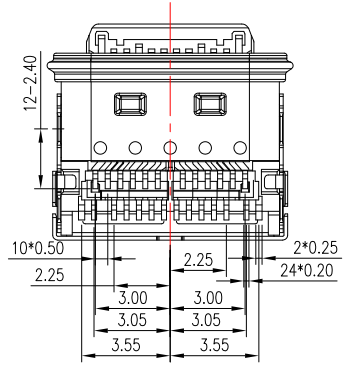
PIN ASSIGNMENTS

No.	NAME	DESCRIPTION	No.	NAME	DESCRIPTION
A1	GND	GROUND RETURN	B12	GND	GROUND RETURN
A4	VBUS	BUS POWER	B9	VBUS	BUS POWER
A5	CC1	CONFIGURATION CHANNEL	B8	SBU2	SIDEBAND USE(SBU)
A6	DP1	POSITIVE HALF OF USB2.0 DIFFERENTIAL PAIR-POSITION1	B7	DN2	NEGATIVE HALF OF USB2.0 DIFFERENTIAL PAIR-POSITION2
A7	DN1	NEGATIVE HALF OF USB2.0 DIFFERENTIAL PAIR-POSITION1	B6	DP2	POSITIVE HALF OF USB2.0 DIFFERENTIAL PAIR-POSITION2
A8	SBU1	SIDEBAND USE(SBU)	B5	CC2	CONFIGURATION CHANNEL
A9	VBUS	BUS POWER	B4	VBUS	BUS POWER
A12	GND	GROUND RETURN	B1	GND	GROUND RETURN

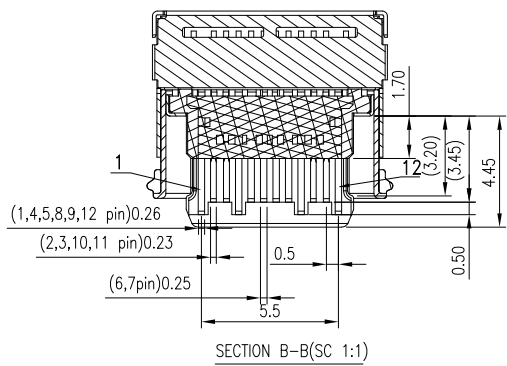


SPECIFICATIONS

- Electrical:**
- Rating: 5.0A
  - Contact Resistance: 40 mΩ Max
  - Insulation Resistance: 1000 MΩ Min
  - Dielectric Withstanding Voltage: 100V AC
- Mechanical:**
- Connector Mate and Unmate Force
    - Mate force: 5~20 N
    - Unmate force: 8~20 N
- Material:**
- Housing: PA46
  - Contact: C18140
  - Shell: SUS
- Finish:**
- Contact: Plated Gold in Mating Area ;  
Gold Plated on Solder Balls ;  
Nickel under plated overall
  - Shell: Nickel under Plated surface layer



SECTION A-A(SC 1:1)



SECTION B-B(SC 1:1)

**CONTACT** 建倚科技股份有限公司  
CONTACT TECHNOLOGY CORP.

TOLERANCE UNLESS OTHERWISE STATED:  
 Up to 5 ±0.2  
 Above 5 ~ 15 ±0.3  
 Above 15 ~ 30 ±0.4  
 Above 30 ~ 50 ±0.5  
 Angle ±0.3°

3RD. ANGEL'S

UNITS MM

DRAWN BY:	DATE	MAT'L	TITLE	CONNECTOR
Jack Lu	06/05/23	FINISH	MODLE	USB 3.1 TYPE C 防水型 板上式 H3.13 IP68
CHECKED BY:	DATE	SCALE	DWG NO.	SBC-WP240S3B-31x-S331
Jacky Chen	06/05/23	1 : 1	PART NO.	SBC-WP240S3B-31x-S331
APPROVED BY:	DATE	SHEET NO.	1 of 2	
Tony Kao	06/05/23			

ITEM NO.	DESCRIPTION	DRAWN	DATE