

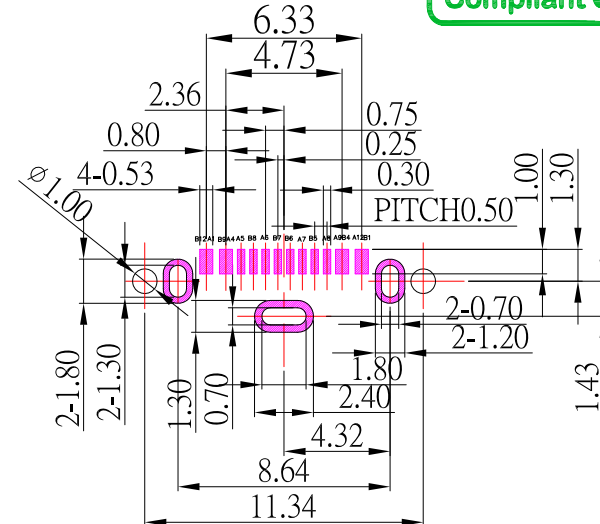
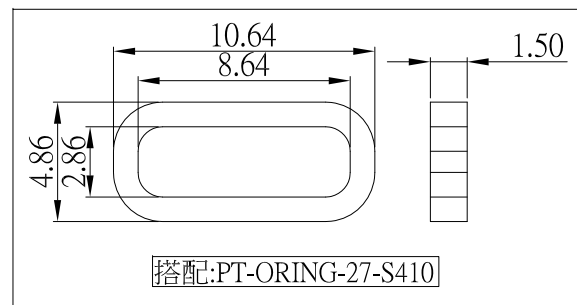
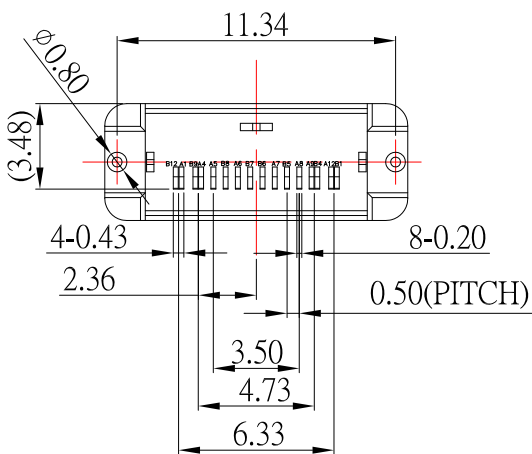
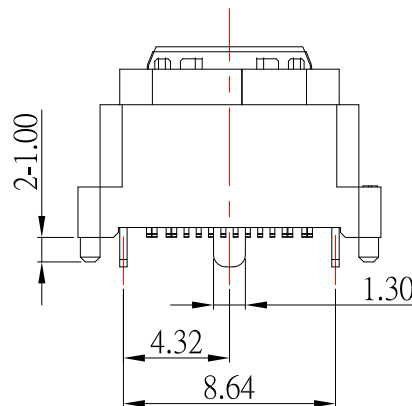
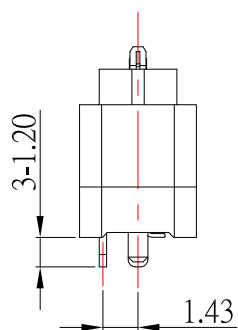
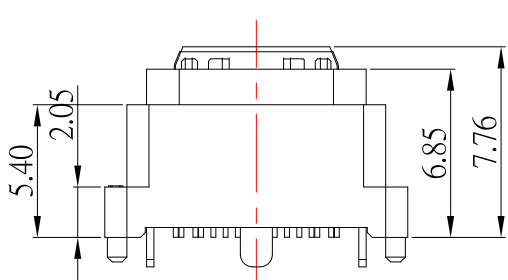
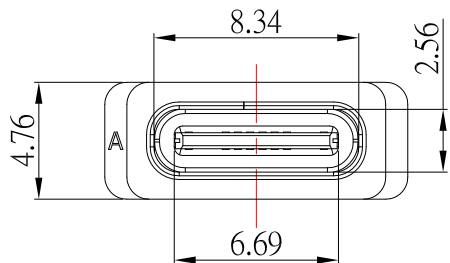
IP68



SBC-WP160VS4-20x-S410

鍍層厚度:

Blank	: 1u"
2	: 15u"
3	: 30u"



RECOMMENDED PCB LAYOUT(TOP VIEW)

SPECIFICATIONS

Electrical:

- 1.Rating: 3.0 A
- 2.Contact Resistance: 40 mΩ Max
- 3.Insulation Resistance: 100 MΩ Min

Mechanical:

- 1.Connector Mate and Unmate Force
 - 1.1 Mate force: 5~20 N
 - 1.2 Unmate force: 8~20 N

Material:

- 1.Housing: PA10T
 - 2.Contact: C7025
 - 3.Shell: SUS
- Finish:
- 1.Contact: Plated Gold in Mating Area ;
Gold Plated on Solder Balls ;
Nickel under plated overall
 - 2.Shell: Nickel under Plated surface layer

A1	GND	B12	GND
A4	VBUS	B9	VBUS
A5	CC1	B8	SBU2
A6	DP1	B7	DN2
A7	DN1	B6	DP2
A8	SBU1	B5	CC2
A9	VBUS	B4	VBUS
A12	GND	B1	GND
PIN	SIGNAL NAME	PIN	SIGNAL NAME

CONTACT 建倚科技股份有限公司
CONTACT TECHNOLOGY CORP.

TOLERANCE UNLESS OTHERWISE STATED:
Up to 5 ±0.2
Above 5 ~ 15 ±0.3
Above 15 ~ 30 ±0.4
Above 30 ~ 50 ±0.5

3RD. ANGEL'S



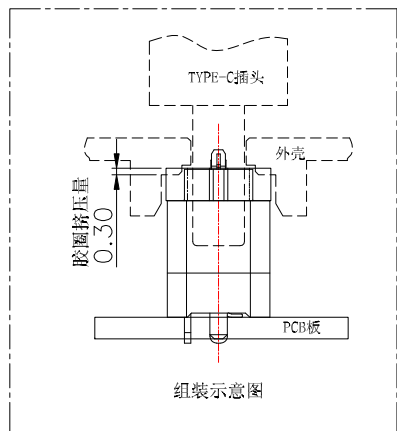
UNITS MM

DRAWN BY:	DATE	MAT'L	TITLE	CONNECTOR
Jack Lu	06/08/23	FINISH	MODLE	USB C TYPE 180度 SMT 2.0 Female H7.76防水型
CHECKED BY:	DATE	SCALE	DWG NO.	SBC-WP160VS4-20x-S410
Jacky Chen	06/08/23	1 : 1	PART NO.	SBC-WP160VS4-20x-S410
APPROVED BY:	DATE	SHEET NO.	1 of 2	
Tony Kao	06/08/23			

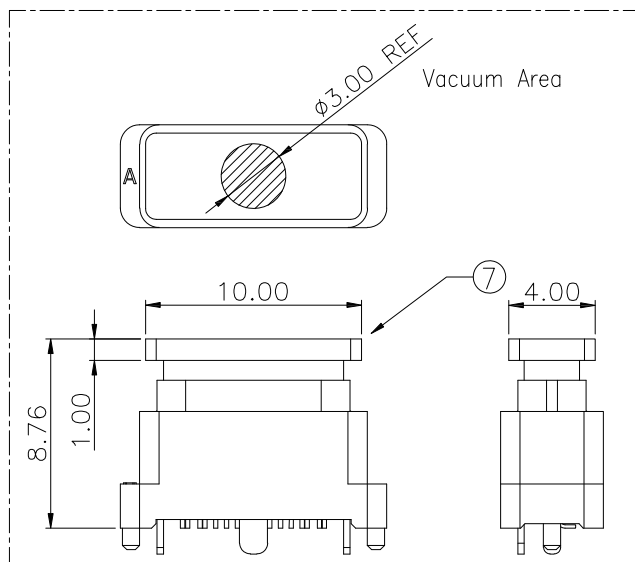
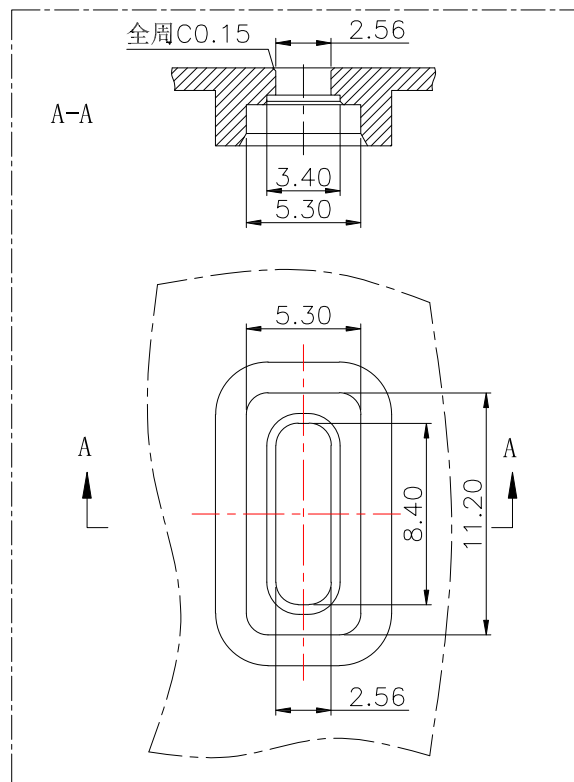
ITEM NO.	DESCRIPTION	DRAWN	DATE
3	新增PCB LAYOUT尺寸	Jack	060823
2	新增零件底部pin編號標示	Jack	060623
1	新增組裝示意圖	Jack	060123



IP68



外壳参考设计图



CONTACT 建倚科技股份有限公司
CONTACT TECHNOLOGY CORP.

TOLERANCE UNLESS OTHERWISE STATED:
Up to 5 ±0.2
Above 5 ~ 15 ±0.3
Above 15 ~ 30 ±0.4
Above 30 ~ 50 ±0.5

3RD. ANGEL'S



UNITS MM

DRAWN BY:	DATE	MAT'L	TITLE	CONNECTOR
Jack Lu	06/08/23		MODLE	USB C TYPE 180度 SMT 2.0 Female H7.76防水型
CHECKED BY:	DATE	FINISH	DWG NO.	SBC-WP160VS4-20x-S410
Jacky Chen	06/08/23		SCALE	1 : 1
APPROVED BY:	DATE	SHEET NO.	PART NO.	SBC-WP160VS4-20x-S410
Tony Kao	06/08/23	2 of 2		

ITEM NO.	DESCRIPTION	DRAWN	DATE
3	新增PCB LAYOUT尺寸	Jack	060823
2	新增零件底部pin編號標示	Jack	060623
1	新增組裝示意圖	Jack	060123