

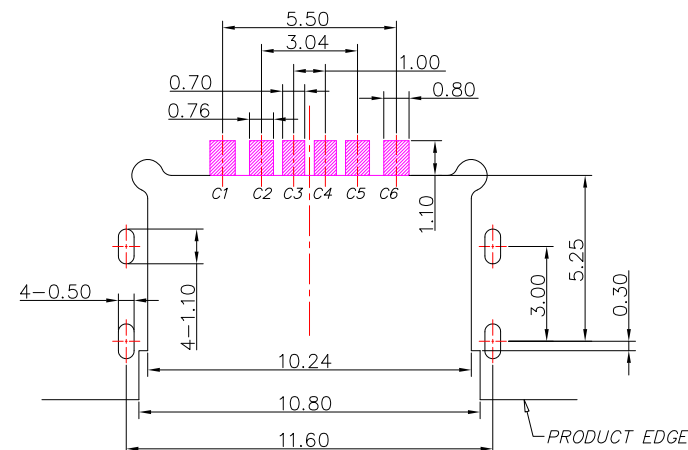
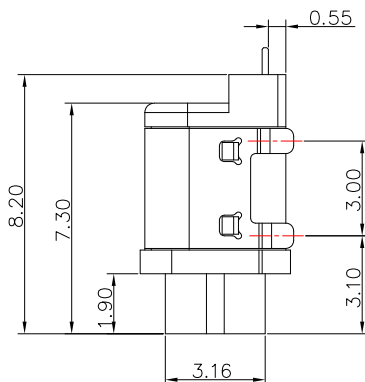
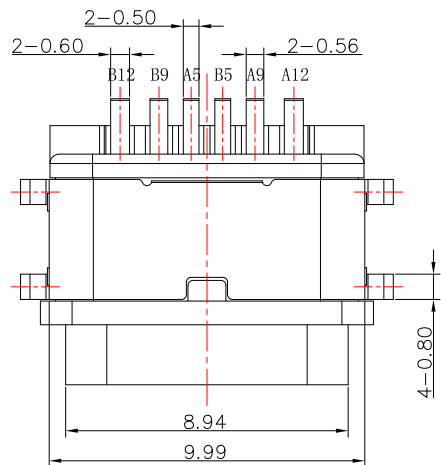
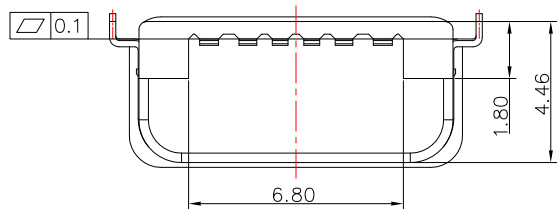
IPX7



SBC-WP060M-20x-S175

鍍層厚度:

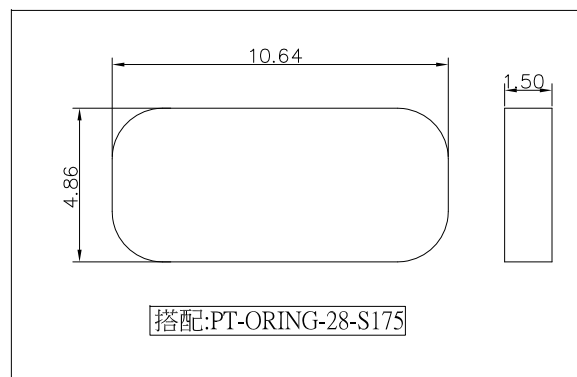
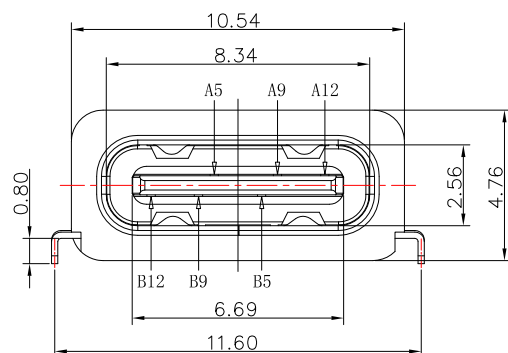
| |
|-------------|
| Blank : 1u" |
| 2 : 15u" |
| 3 : 30u" |



P.C.B LAYOUT MOUNTING PATTERN

PIN ASSIGNMENT:

| PIN NO | A1&B12 | A4&B9 | A5 | B5 | A9&B4 | A12&B1 |
|-------------|--------|-------|-----|-----|-------|--------|
| SIGNAL NAME | GND | VBUS | CC1 | CC2 | VBUS | GND |
| PCB PAD NO. | C1 | C2 | C3 | C4 | C5 | C6 |



SPECIFICATIONS

Electrical:

- Rating: 100V AC , 3.0A
- Contact Resistance: 40 mΩ Max
- Insulation Resistance: 100 MΩ Min

Mechanical:

- Connector Mate and Unmate Force
 - Mate force: 5~20 N
 - Unmate force: 8~20 N

Material:

- Housing: LCP
- Contact: BRASS
- Shell: SUS

Finish:

- Contact: Plated Gold in Mating Area ;
Tin Plated on Solder Balls ;
Nickel under plated overall
- Shell: Nickel under Plated surface layer

CONTACT 建倚科技股份有限公司
CONTACT TECHNOLOGY CORP.

TOLERANCE UNLESS OTHERWISE STATED:

Up to 5 ±0.2
Above 5 ~ 15 ±0.3
Above 15 ~ 30 ±0.4
Above 30 ~ 50 ±0.5
Angle ±0.3°

3RD. ANGEL'S



UNITS MM

DRAWN BY: Jack Lu
CHECKED BY: Jacky Chen
APPROVED BY: Tony Kao

DATE: 04/11/23
DATE: 04/11/23
DATE: 04/11/23

MAT'L
FINISH
SCALE: 1 : 1
SHEET NO.: 1 of 2

TITLE: CONNECTOR
MODLE: USB TYPE C 2.0 沉板防水型
DWG NO.: SBC-WP060M-20x-S175
PART NO.: SBC-WP060M-20x-S175

SIZE: A4
VER: R

| ITEM NO. | DESCRIPTION | DRAWN | DATE |
|----------|-------------|-------|------|
| | | | |
| | | | |
| | | | |