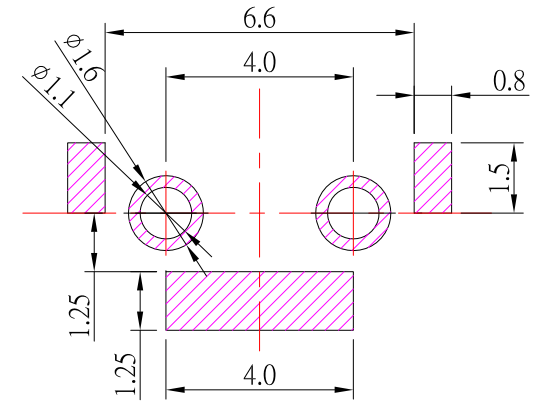
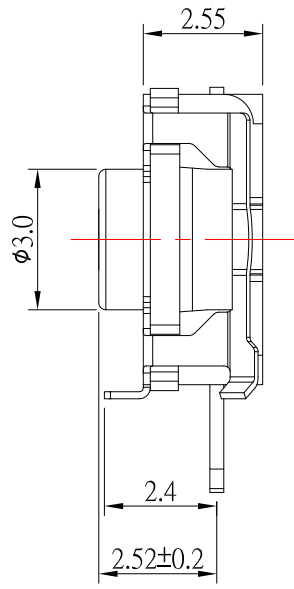
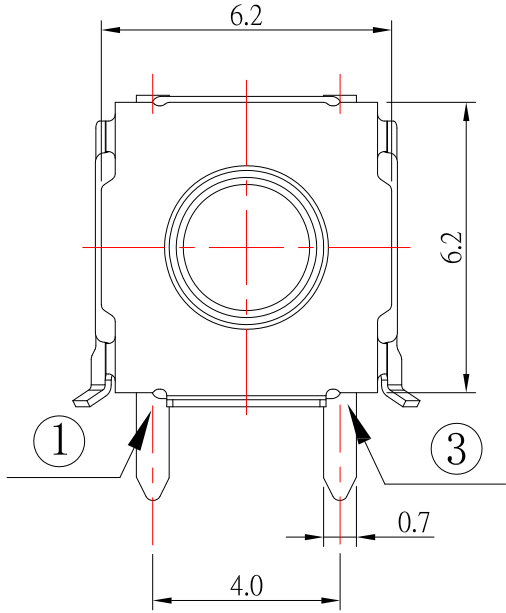
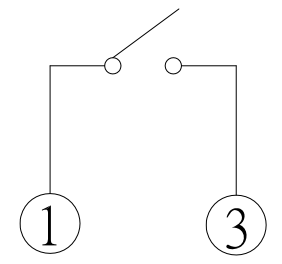
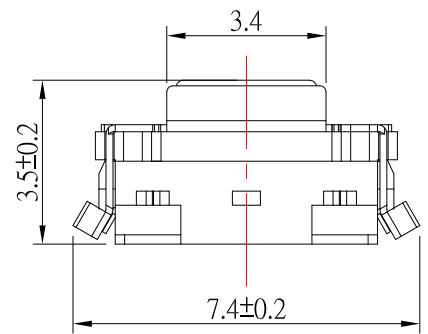


IP67 **RoHS Compliant**



P.C.B MOUNTING PATTERN DIMENSION



CIRCUIT DIAGRAM

SPECIFICATIONS

Rating	DC 12V, 50mA Max.
Contact Resistance	100mΩ Max.
Travel	0.50 ± 0.30mm
Operating Force	180 ± 50gf
Operating Life (cycles)	300,000

E	TERMINAL	4	H65	Ag plated
D	BASE	1	PA6T	
C	CONTACT	1	SUS	Ag plated
B	COVER	1	SUS	
A	STEM	1	RUBBER	
NO.	DESCRIPTION	QTY	MATERIAL	PLATING

MAT'L	TITLE	SWITCH
FINISH	MODLE	TACT SWITCH WATERPROOF V/T TYPE
SCALE	1 : 1	DWG NO. TS-A77WVS-2-S138
SHEET NO.	1 of 1	PART NO. TS-A77WVS-2-S138

CONTACT 建倚科技股份有限公司
CONTACT TECHNOLOGY CORP.

TOLERANCE UNLESS OTHERWISE STATED:
 Up to 5 ±0.2
 Above 5 ~ 15 ±0.3
 Above 15 ~ 30 ±0.4
 Above 30 ~ 50 ±0.5
 Angle ±0.3°

3RD. ANGEL'S UNITS MM

DRAWN BY: Jack Lu DATE: 05/25/23
 CHECKED BY: Jacky Chen DATE: 05/25/23
 APPROVED BY: Tony Kao DATE: 05/25/23

ITEM NO.	DESCRIPTION	DRAWN	DATE