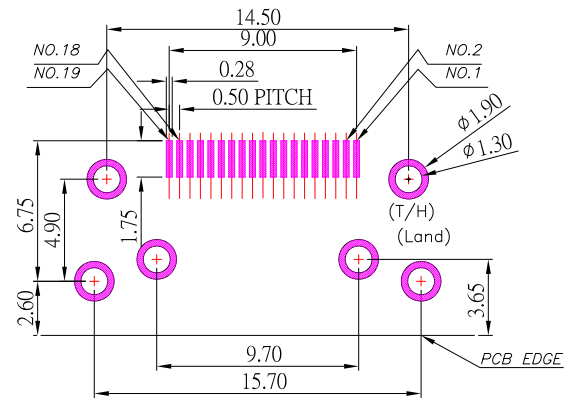


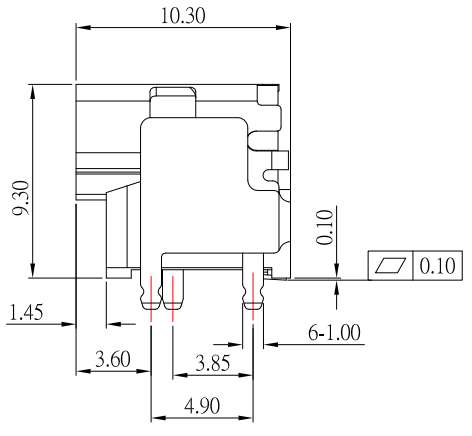
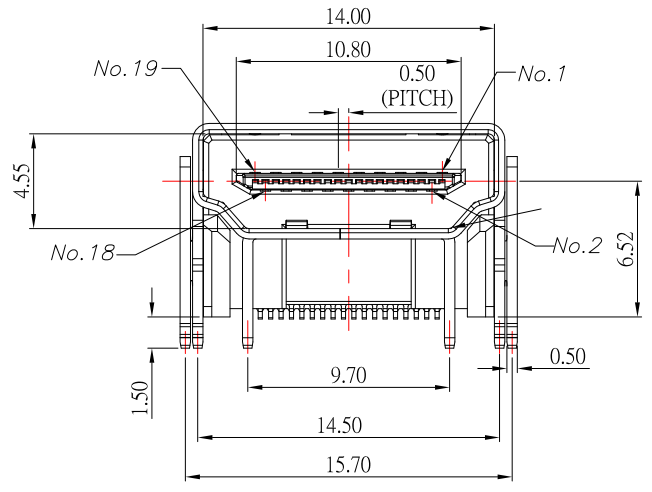
HDMI-19P-SND23x-S455

鍍層厚度 :

Blank	: 1u"
2	: 15u"
3	: 30u"



RECOMMENDED P.C.B. LAYOUT



NOTE:

- 1.MATERIAL:
 - 1.1 HOUSING: LCP
 - 1.2 CONTACT: BRASS
 - 1.3 SHELL: SUS
- 2.PLATING :
 - 2.1 CONTACT: PLATED GOLD IN MATING AREA ;
TIN PLATED ON SOLDER BALLS ;
NICKEL UNDER PLATED OVERALL
 - 2.2 SHELL: NICKEL UNDER PLATED SURFACE LAYER
- 3.ELECTRICAL:
 - 3.1 RATING: 40V , 0.5A
 - 3.2 CONTACT RESISTANCE: 30mΩ MAX
 - 3.3 INSULATION RESISTANCE: 100MΩ MIN
 - 3.4 WITHSTANDING VOLTAGE: 500V AC
 - 3.5 OPERATING TEMPERATURE: -25°C~ 85°C

CONTACT 建倚科技股份有限公司
CONTACT TECHNOLOGY CORP.

TOLERANCE UNLESS OTHERWISE STATED :	Up to 5 ±0.2	3RD. ANGEL'S	UNITS	MM
	Above 5 ~ 15 ±0.3			
	Above 15 ~ 30 ±0.4			
	Above 30 ~ 50 ±0.5			
	Angle ±0.3°			

DRAWN BY:	DATE	MAT'L	TITLE	CONNECTOR
Jack Lu	10/19/22			
CHECKED BY:	DATE	FINISH	MODLE	HDMI AF 90度 SMT 加高型 H9.3mm
Jacky Chen	10/19/22			
APPROVED BY:	DATE	SCALE	DWG NO.	HDMI-19P-SND23x-S455
Tony Kao	10/19/22	1 : 1		
		SHEET NO.	PART NO.	HDMI-19P-SND23x-S455
		1 of 1		

ITEM NO.	DESCRIPTION	DRAWN	DATE