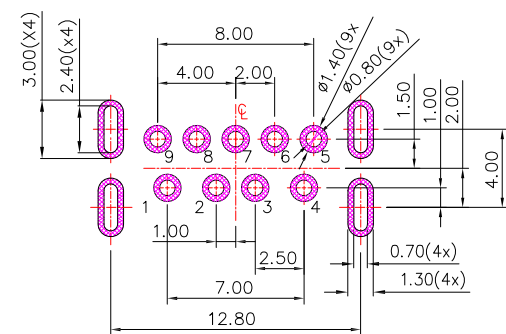
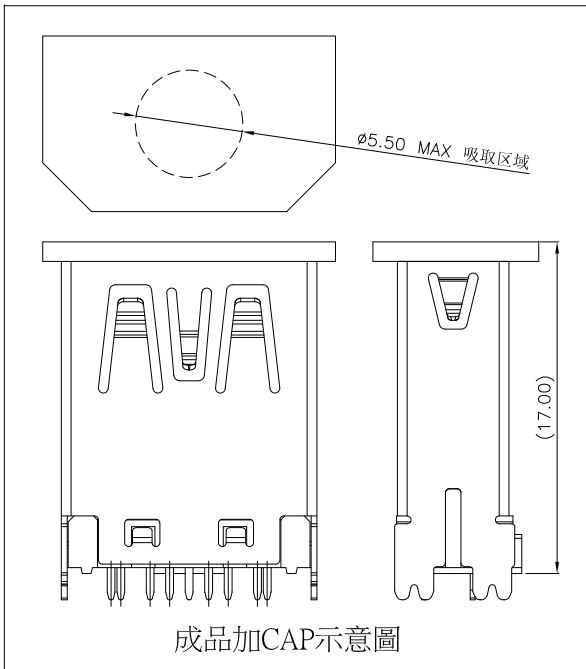
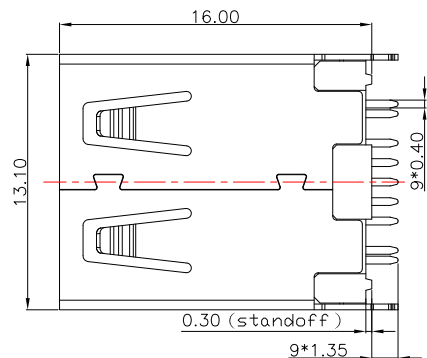




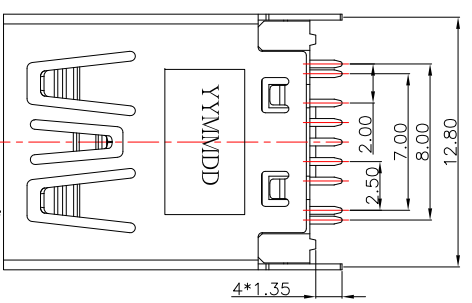
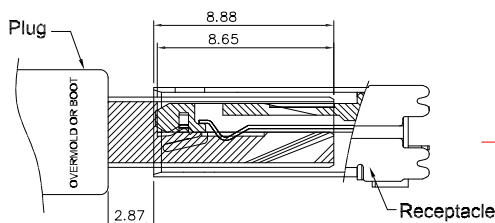
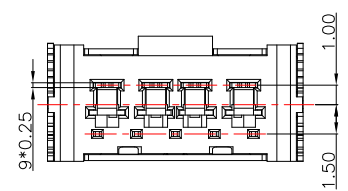
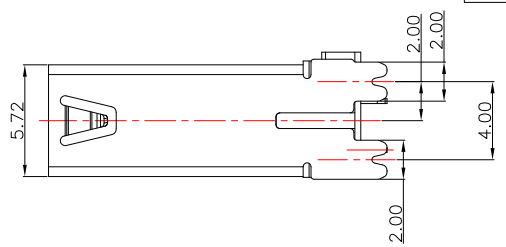
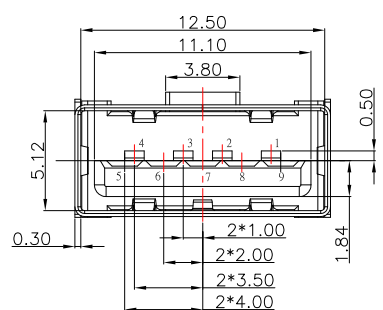
# SUA-110V9-30x-S410

鍍層厚度:

Blank	: 1u"
2	: 15u"
3	: 30u"



RECOMMENDED PCB LAYOUT



Pin NUMBER	SIGNAL NAME
1	VBUS
2	D-
3	D+
4	GND
5	StdA_SSRX-
6	StdA_SSRX+
7	GND_DRAIN
8	StdA_SSTX-
9	StdA_SSTX+
Shell	Shield

- NOTE:
- MATERIAL:
    - Housing: LCP
    - Contact: Phosphor Bronze
    - Shell: SUS
  - Finish:
    - Contact: Plated Gold in Mating Area ;  
Tin Plated on Solder Balls ;  
Nickel under plated overall
    - Shell: Nickel under Plated surface layer

**CONTACT** 建倚科技股份有限公司  
CONTACT TECHNOLOGY CORP.

TOLERANCE UNLESS OTHERWISE STATED:  
 Up to 5 ±0.2  
 Above 5 - 15 ±0.3  
 Above 15 - 30 ±0.4  
 Above 30 - 50 ±0.5  
 Angle ±0.3

3RD. ANGEL'S

UNITS MM

DRAWN BY:	DATE	MAT'L	TITLE	CONNECTOR
Jack Lu	09/14/22			
CHECKED BY:	DATE	FINISH	MODLE	USB 3.0 AF 180度 H16.00 DIP 端子腳長1.35
Jacky Chen	09/14/22			
APPROVED BY:	DATE	SCALE	DWG NO.	SUA-110V9-30x-S410
Tony Kao	09/14/22	1 : 1	PART NO.	SUA-110V9-30x-S410
		SHEET NO.	1 of 1	

ITEM NO.	DESCRIPTION	DRAWN	DATE