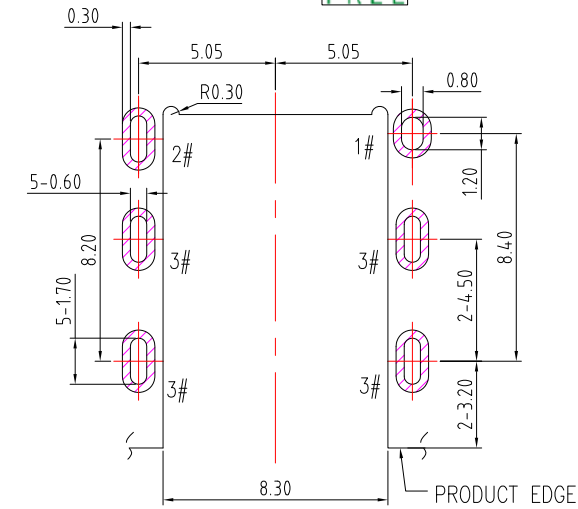
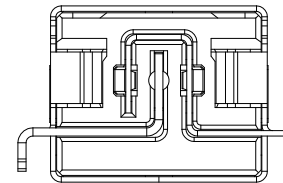
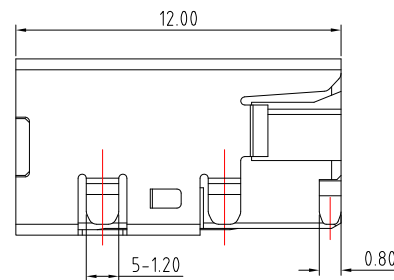
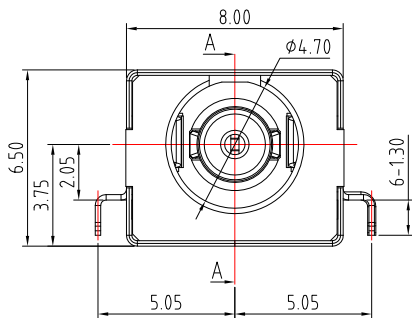
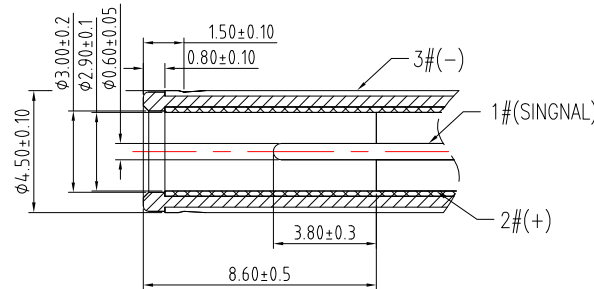
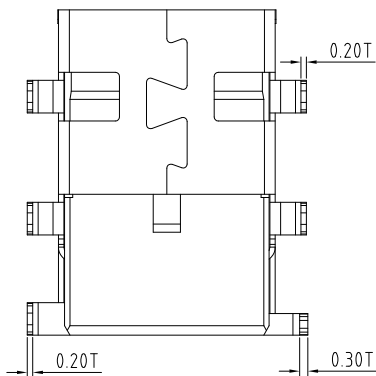


SECTION A-A



P.C.B LAYOUT  
TOP VIEW



MATING PLUG

MODEL NO.	DC-S456H-0.6-HF
SCHEMATIC	

**SPECIFICATION**

1. Rating : DC 20V, 8.0A ;
2. Contact resistance :  $\leq 30m\Omega$  ;
3. Insulation resistance :  $\geq 100M\Omega$  ;
4. Withstand voltage : 500VAC ;
5. Insertion and extraction force : 6-30N;
6. life test : 5,000 cycles °

NO.	DESCRIPTION	QTY	MATERIAL	PLATING
4	SHELL	1	BRASS	Ni-Plating
3	SPRING	1	PHOSPHOR BRONZE	Au/Sn-Plated over Ni
2	CENTER PIN	1	PHOSPHOR BRONZE	Au/Sn-Plated over Ni
1	HOUSING	1	PA9T (BLACK)	

**CONTACT** 建倚科技股份有限公司  
CONTACT TECHNOLOGY CORP.

TOLERANCE UNLESS OTHERWISE STATED:  
 Up to 5 ±0.2  
 Above 5 ~ 15 ±0.3  
 Above 15 ~ 30 ±0.4  
 Above 30 ~ 50 ±0.5  
 Angle ±0.3°

3RD. ANGEL'S

UNITS MM

DRAWN BY:	DATE	MAT'L	TITLE	JACK
Jack Lu	09/26/22			
CHECKED BY:	DATE	FINISH	MODLE	DC JACK
Jacky Chen	09/26/22			
APPROVED BY:	DATE	SCALE	DWG NO.	DC-S456H-0.6-HF-S214
Tony Kao	09/26/22	1 : 1		
		SHEET NO.	PART NO.	DC-S456H-0.6-HF-S214
		1 of 1		

ITEM NO.	DESCRIPTION	DRAWN	DATE