



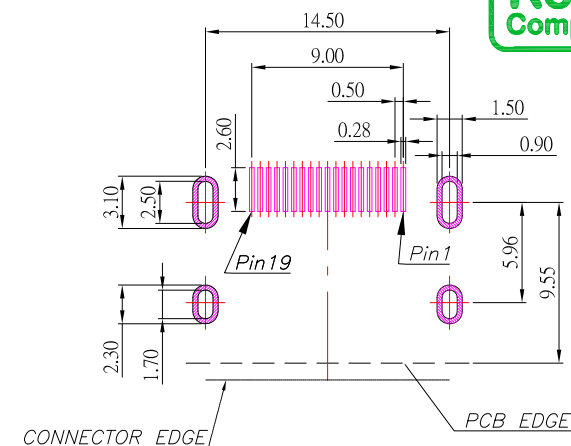
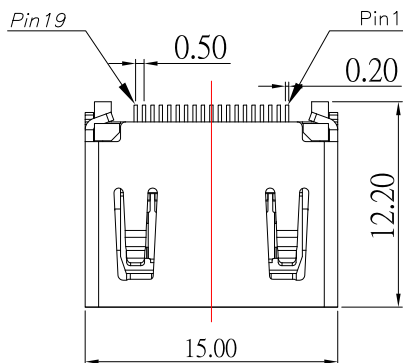
HD2-19P-SND1xx-S297

外殼電鍍材質：

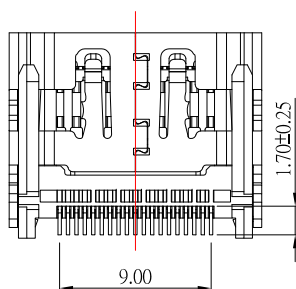
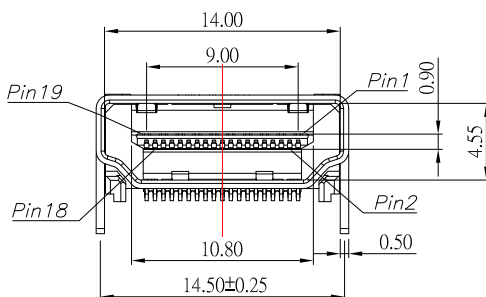
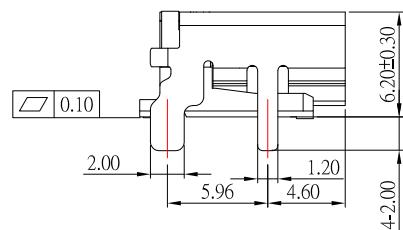
- Blank : Nickel
- G : Gold

端子接觸區厚度：

- Blank : 1u"
- 2 : 15u"
- 3 : 30u"



RECOMMENDED P.C.B. LAYOUT
TOP VIEW



NOTE:

1.MATERIAL:

- 1.1 HOUSING: LCP, BLACK
- 1.2 CONTACT: BRASS
- 1.3 SHEEL: BRASS

2.PLATING :

- 2.1 CONTACT: PLATED GOLD IN MATING AREA ;
TIN PLATED ON SOLDER BALLS ;
NICKEL UNDER PLATED OVERALL
- 2.2 SHELL: NICKELOR GOLD UNDER PLATED SURFACE LAYER

3.MECHANICAL:

- 3.1 INSERTION FORCE: 4.5 Kgf MAX
- 3.2 WITHDRAWAL FORCE: 1.0 ~ 4.0 Kgf
- 3.3 LIFE: 10000 Cycles

4.ELECTRICAL:

- 4.1.RATING: 40V,0.5A
- 4.2 CONTACT RESISTANCE: 30 mΩ Max
- 4.3 INSULATION RESISTANCE: 100MΩ Min
- 4.4 DIELECTRIC WITHSTANDING VOLTAGE: 500V AC / minute
- 4.5 OPERATING TEMPERATURE: -25°C~ 85°C

CONTACT 建倚科技股份有限公司
CONTACT TECHNOLOGY CORP.

TOLERANCE UNLESS OTHERWISE STATED :
Up to 5 ±0.2
Above 5 ~ 15 ±0.3
Above 15 ~ 30 ±0.4
Above 30 ~ 50 ±0.5
Angle ±0.3

3RD. ANGEL'S

UNITS MM

DRAWN BY:	DATE	MAT'L	TITLE	CONNECTOR
Jack Lu	07/09/21			
CHECKED BY:	DATE	FINISH	MODLE	HDMI2.1 無耳無柱 四直腳腳長2.0
Jacky Chen	07/09/21			
APPROVED BY:	DATE	SCALE	DWG NO.	SIZE
Tony Kao	07/09/21	1 : 1	HD2-19P-SND1xx-S297	A4
		SHEET NO.	PART NO.	VER
		1 of 1	HD2-19P-SND1xx-S297	R1