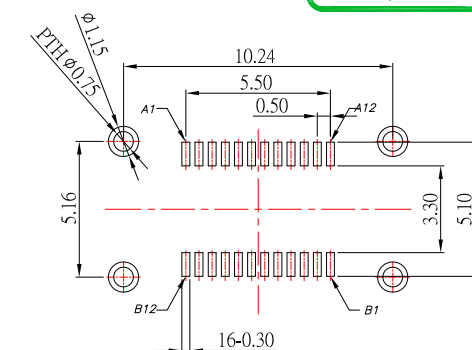


IPX8

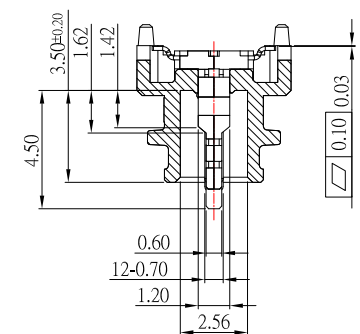
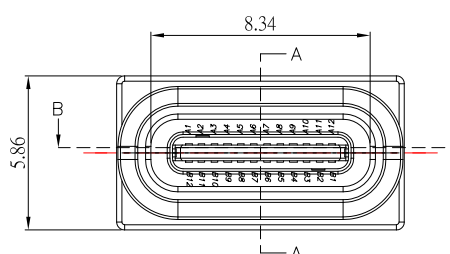
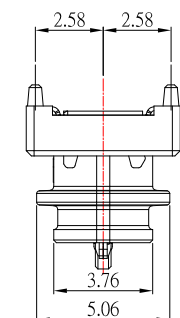
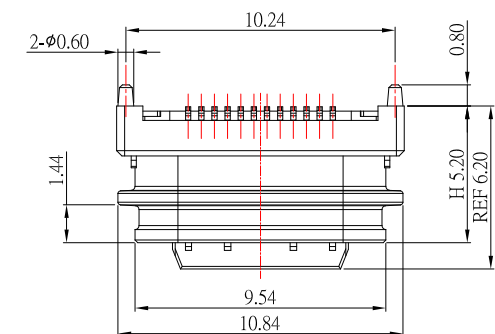


SBC-WP240VS2-31x-S382

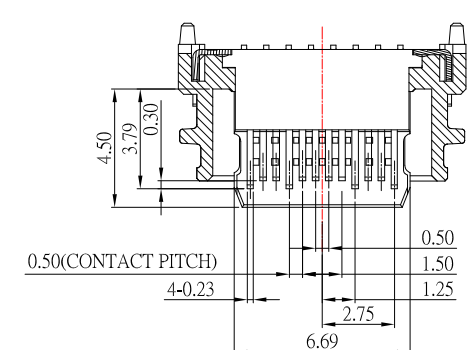
鍍層厚度：
Blank : 1u"
2 : 15u"
3 : 30u"



PCB LAYOUT



SECTION A-A



SECTION B-B

SPECIFICATIONS

- Electrical:
- Rating: 3.0A
 - Contact Resistance: 40 mΩ Max
 - Insulation Resistance: 100 MΩ Min
 - Dielectric Withstanding Voltage: 100V AC

Mechanical:

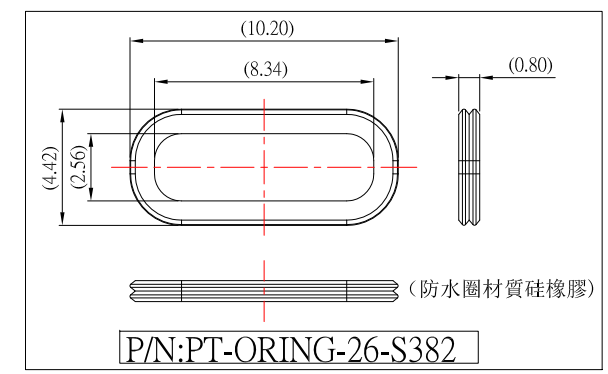
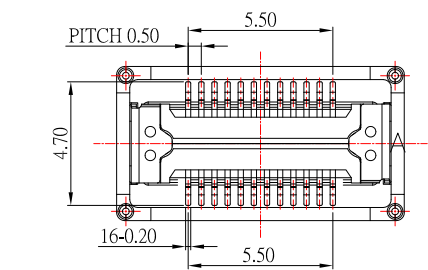
- Connector Mate and Unmate Force
 - Mate force: 5~20 N
 - Unmate force: 8~20 N

Material:

- Housing: PA9T
- Contact: Copper Alloy
- Shell: SUS

Finish:

- Contact: Plated Gold in Mating Area ;
Tin Plated on Solder Balls ;
Nickel under plated overall
- Shell: Nickel under Plated surface layer



Pin	Signal Name	Mating Sequence	Pin	Signal Name	Mating Sequence
A1	GND	First	B12	GND	First
A2	SSTxp1	Second	B11	SSRxp1	Second
A3	SSTxn1	Second	B10	SSRxn1	Second
A4	V _{SS}	First	B9	V _{SS}	First
A5	CC1	Second	B8	SBU2	Second
A6	Dn1	Second	B7	Dn2	Second
A7	Dn1	Second	B6	Dp2	Second
A8	SBU1	Second	B5	CC2	Second
A9	V _{SS}	First	B4	V _{SS}	First
A10	SSRx2	Second	B3	SSTx2	Second
A11	SSRx2	Second	B2	SSTx2	Second
A12	GND	First	B1	GND	First
SHELL	GND		SHELL	GND	

CONTACT 建倚科技股份有限公司
CONTACT TECHNOLOGY CORP.

TOLERANCE UNLESS OTHERWISE STATED:
Up to 5 ±0.2
Above 5 ~ 15 ±0.3
Above 15 ~ 30 ±0.4
Above 30 ~ 50 ±0.5
Angle ±0.3

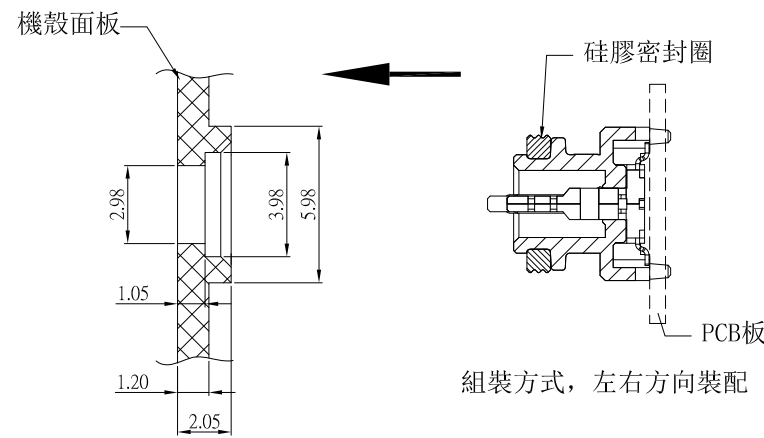
3RD. ANGEL'S

UNITS MM

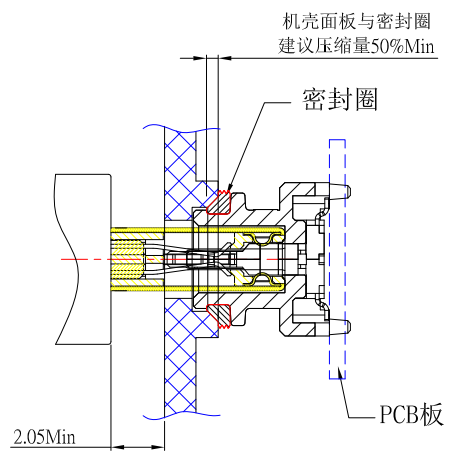
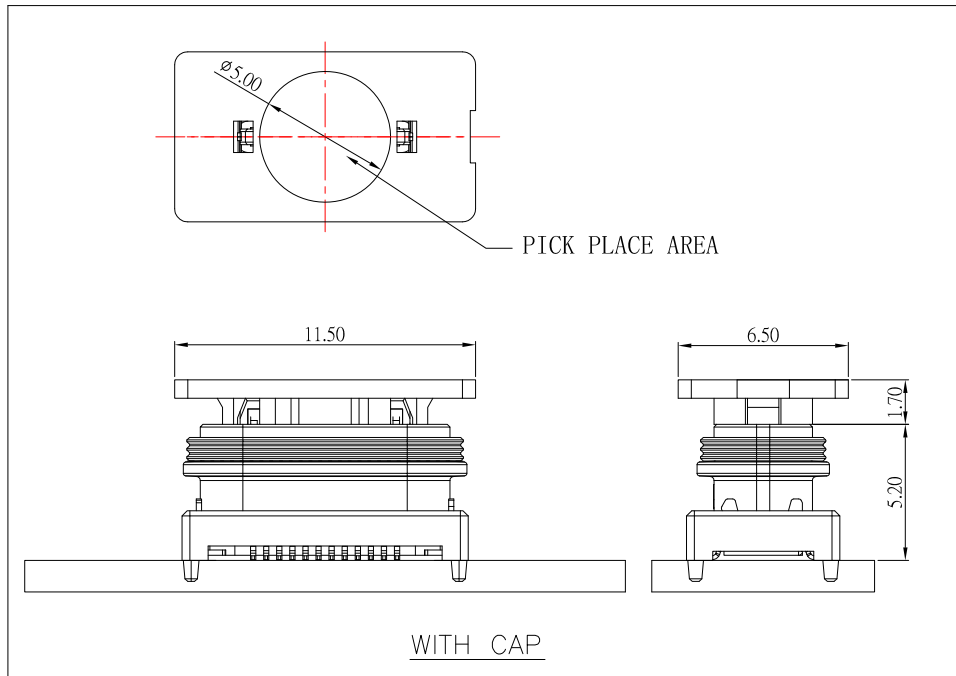
DRAWN BY:	DATE	MAT'L	TITLE	CONNECTOR
Jack Lu	09/26/22		MODLE	USB 3.1 TYPE C 防水型 FEMALE VERTICAL H5.2mm SMT TYPE
CHECKED BY:	DATE	FINISH	SCALE	1 : 1
Jacky Chen	09/26/22		DWG NO.	SBC-WP240VS2-31x-S382
APPROVED BY:	DATE	SHEET NO.	PART NO.	SBC-WP240VS2-31x-S382
Tony Kao	09/26/22	1 of 2	SIZE	A4
			VER	R

ITEM NO.	DESCRIPTION	DRAWN	DATE

IPX8



組裝方式，左右方向裝配



組裝面板後公母頭對插示意圖

CONTACT 建倚科技股份有限公司
CONTACT TECHNOLOGY CORP.

TOLERANCE UNLESS OTHERWISE STATED:
 Up to 5 ±0.2
 Above 5 ~ 15 ±0.3
 Above 15 ~ 30 ±0.4
 Above 30 ~ 50 ±0.5
 Angle ±0.3°

3RD. ANGEL'S

UNITS MM

DRAWN BY:	DATE	MATL	TITLE	CONNECTOR
Jack Lu	09/26/22		MODLE	USB 3.1 TYPE C 防水型 FEMALE VERTICAL H5.2mm SMT TYPE
CHECKED BY:	DATE	FINISH	SCALE	1 : 1
Jacky Chen	09/26/22		DWG NO.	SBC-WP240VS2-31x-S382
APPROVED BY:	DATE	SHEET NO.	PART NO.	SBC-WP240VS2-31x-S382
Tony Kao	09/26/22	2 of 2		

ITEM NO.	DESCRIPTION	DRAWN	DATE