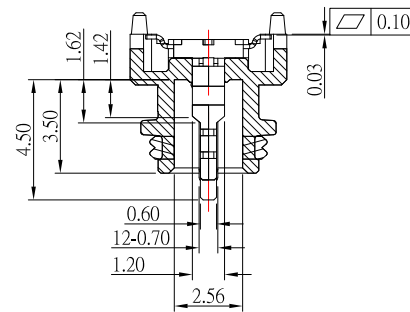
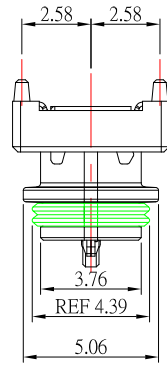
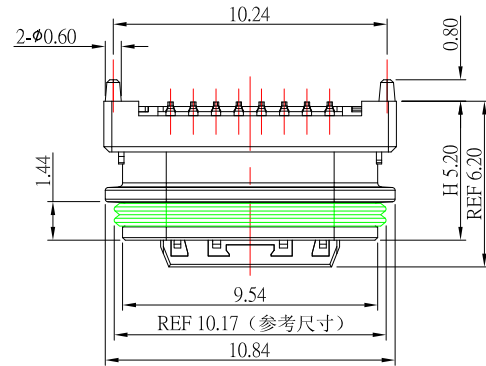
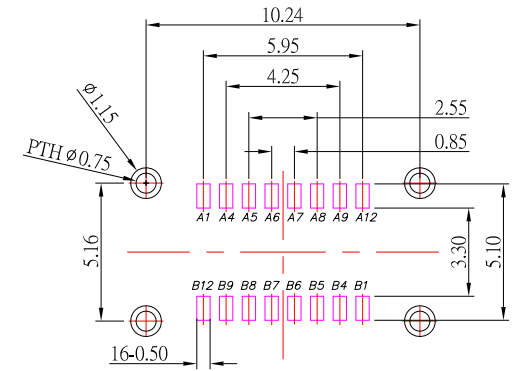


IPX8



SECTION A-A

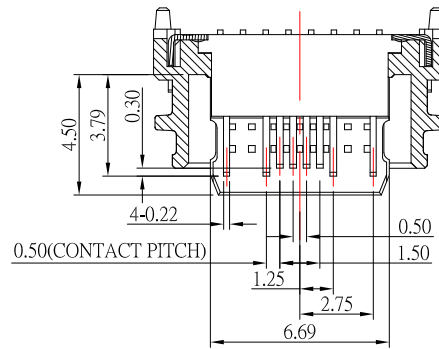
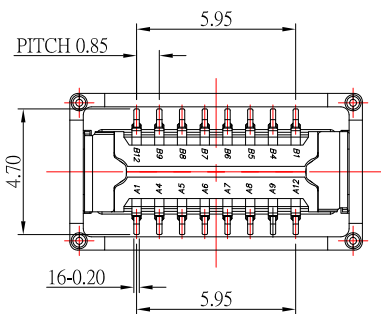
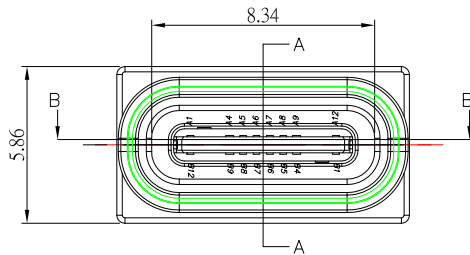


RECOMMENDED PCB LAYOUT

SBC-WP160VS2-20x-S382

鍍層厚度:

Blank : 1u"
2 : 15u"
3 : 30u"



SECTION B-B

Pin	Signal Name	Mating Sequence	Pin	Signal Name	Mating Sequence
A1	GND	First	B12	GND	First
A4	V <sub>BUS</sub>	First	B9	V <sub>BUS</sub>	First
A5	CC1	Second	B8	SBU2	Second
A6	Dp1	Second	B7	Dn2	Second
A7	Dn1	Second	B6	Dp2	Second
A8	SBU1	Second	B5	CC2	Second
A9	V <sub>BUS</sub>	First	B4	V <sub>BUS</sub>	First
A12	GND	First	B1	GND	First
SHELL	GND		SHELL	GND	

SPECIFICATIONS

Electrical:

- 1.Rating: 3.0 A
- 2.Contact Resistance: 40 mΩ Max
- 3.Insulation Resistance: 100 MΩ Min

Mechanical:

- 1.Connector Mate and Unmate Force
  - 1.1 Mate force: 5~20 N
  - 1.2 Unmate force: 8~20 N

Material:

- 1.Housing: PA9T
- 2.Contact: C2680
- 3.Shell: SUS

Finish:

- 1.Contact: Plated Gold in Mating Area ;  
Gold Plated on Solder Balls ;  
Nickel under plated overall
- 2.Shell: Nickel under Plated surface layer

**CONTACT** 建倚科技股份有限公司  
CONTACT TECHNOLOGY CORP.

TOLERANCE UNLESS OTHERWISE STATED:  
Up to 5 ±0.2  
Above 5 ~ 15 ±0.3  
Above 15 ~ 30 ±0.4  
Above 30 ~ 50 ±0.5

3RD. ANGEL'S



UNITS MM

DRAWN BY: Jack Lu  
CHECKED BY: Jacky Chen  
APPROVED BY: Tony Kao

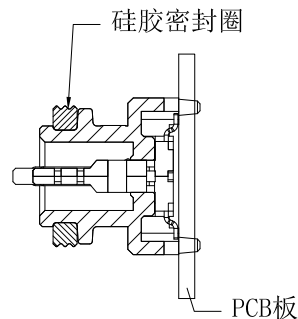
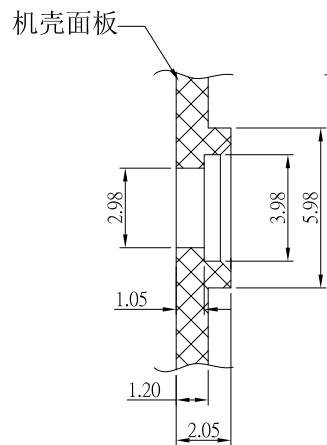
DATE: 11/15/23  
DATE: 11/15/23  
DATE: 11/15/23

MAT'L  
FINISH  
SCALE: 1 : 1  
SHEET NO.: 1 of 2

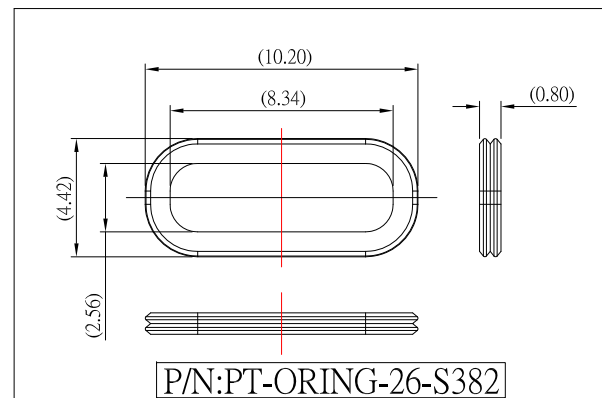
TITLE: CONNECTOR  
MODLE: USB C TYPE 180度 SMT 2.0 Female H5.20防水型  
DWG NO.: SBC-WP160VS2-20x-S382  
PART NO.: SBC-WP160VS2-20x-S382

ITEM NO.	DESCRIPTION	DRAWN	DATE
2	更新圖面	Jack	111523
1	新增O-RING圖	Jack	081122

IPX8



组装方式，左右方向装配



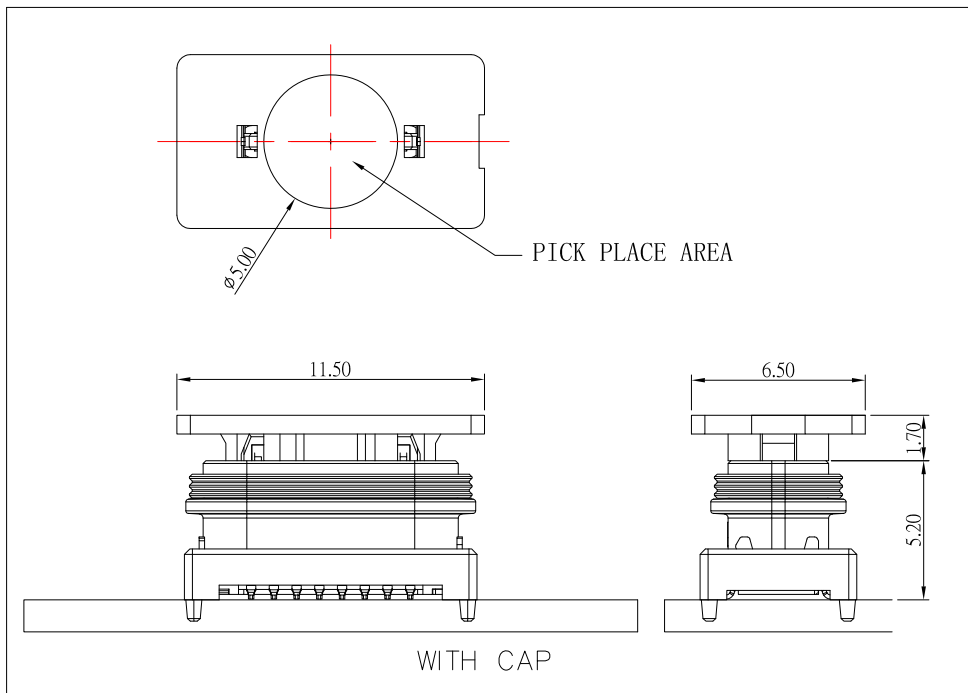
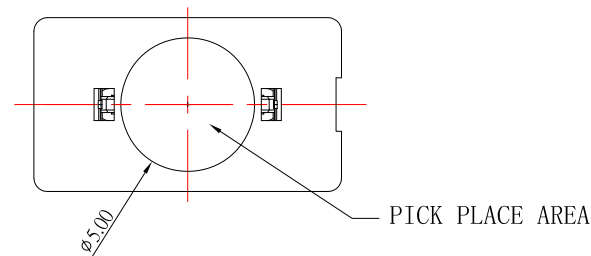
机壳面板与密封圈  
建议压缩量50%Min

密封圈

PCB板

2.05Min

组装面板后公母头对插示意图



建倚科技股份有限公司  
CONTACT TECHNOLOGY CORP.

TOLERANCE UNLESS OTHERWISE STATED:

Up to 5 ±0.2  
Above 5 ~ 15 ±0.3  
Above 15 ~ 30 ±0.4  
Above 30 ~ 50 ±0.5

3RD. ANGEL'S



UNITS MM

DRAWN BY: Jack Lu  
CHECKED BY: Jacky Chen  
APPROVED BY: Tony Kao

DATE: 11/15/23  
DATE: 11/15/23  
DATE: 11/15/23

MAT'L  
FINISH  
SCALE: 1 : 1  
SHEET NO.: 1 of 2

TITLE: CONNECTOR  
MODLE: USB C TYPE 180 度 SMT 2.0 Female H5.20防水型  
DWG NO.: SBC-WP160VS2-20x-S382  
PART NO.: SBC-WP160VS2-20x-S382

SIZE: A4  
VER: R2

ITEM NO.	DESCRIPTION	DRAWN	DATE
2	更新圖面	Jack	111523
1	新增O-RING圖	Jack	081122