

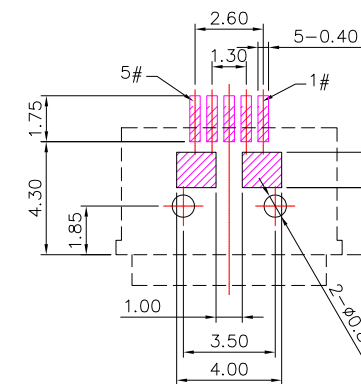
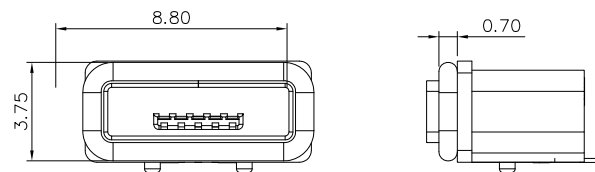
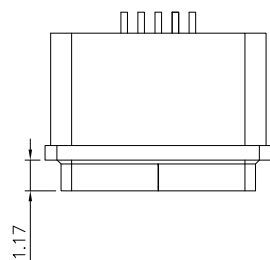
# IPX7



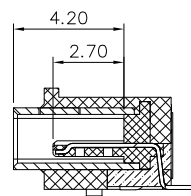
MRUSB-5AB-WP18x-S410

鍍層厚度:

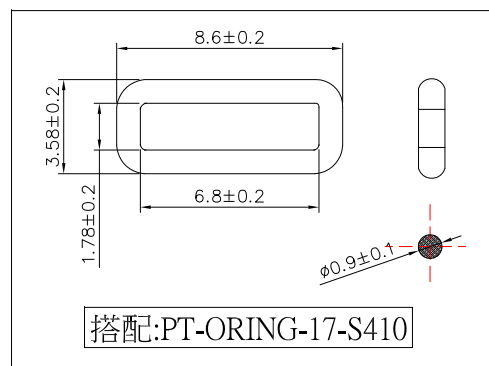
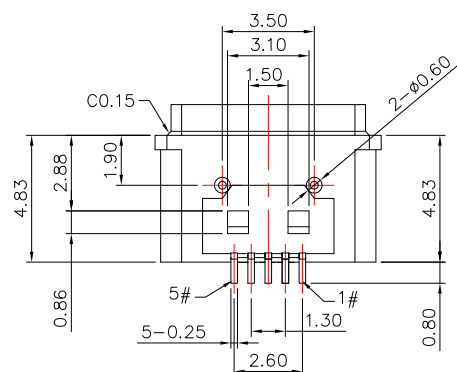
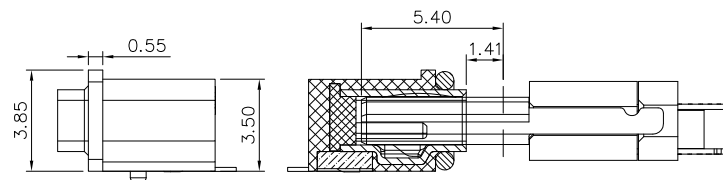
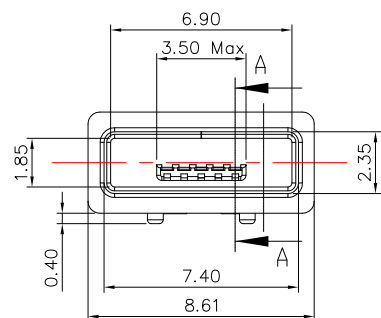
Blank	: 1u"
2	: 15u"
3	: 30u"



P.C.B LAYOUT MOUNTING PATTERN  
TOP VIEW



SEC: A-A



Contact Number	Signal Name	Remarks
1#	VBUS	Power
2#	D-	Date-
3#	D+	Date+
4#	ID	Reserve or Gound
5#	GND	Gound

NOTES:

MATERIAL:

1.1 HOUSING: HIGH-TEMP-PLASTIC

1.2 CONTACT: COPPER ALLOY

1.3 SHELL: COPPER ALLOY / SUS

FINISH:

2.1 CONTACT: PLATED GOLD IN MATING AREA ;  
GOLD PLATED ON SOLDER BALLS ;  
NICKEL UNDER PLATED OVERALL

2.2 SHELL: NICKEL UNDER PLATED SURFACE LAYER

3.SPECIFICATION:

3.1 RATING: AC 30V , 1.8A(PIN1&5) , 0.5A(PIN2&3&4)

3.2 DIELECTRIC WITHSTANDING VOLTAGE: 100 VAC

3.3 CONTACT RESISTANCE: 30 mΩ MAX.

3.4 INSULATION RESISTANCE: 100 MΩ MIN.

**CONTACT** 建倚科技股份有限公司  
**CONTACT TECHNOLOGY CORP.**

TOLERANCE UNLESS OTHERWISE STATED:  
Up to 5 ±0.2  
Above 5 ~ 15 ±0.3  
Above 15 ~ 30 ±0.4  
Above 30 ~ 50 ±0.5  
Angle ±0.3°

3RD. ANGEL'S



UNITS

MM

DRAWN BY: Jack Lu 06/07/21  
CHECKED BY: Jacky Chen 06/07/21  
APPROVED BY: Tony Kao 06/07/21

MAT'L		TITLE	CONNECTOR
FINISH		MODLE	MICRO USB 5PF AB TYPE H 3.5 防水型 IPX7
SCALE	1 : 1	DWG NO.	MRUSB-5AB-WP18x-S410
SHEET NO.	1 of 2	PART NO.	MRUSB-5AB-WP18x-S410
		SIZE	A4
		VER	R

ITEM NO.	DESCRIPTION	DRAWN	DATE