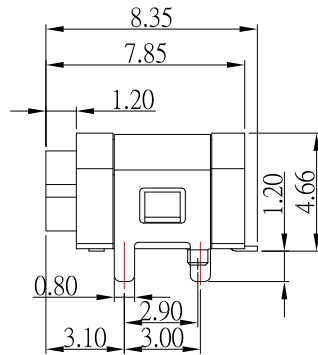
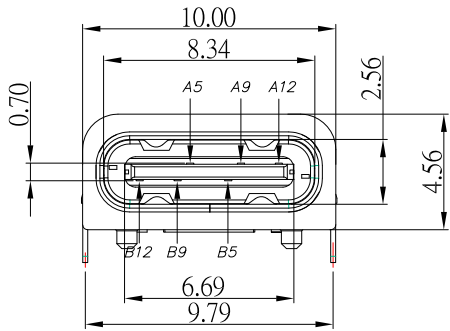
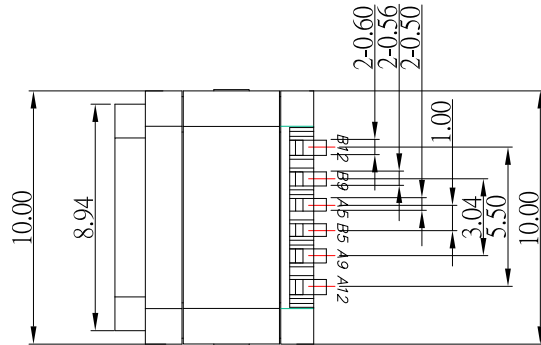


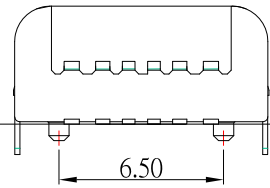
SBC-WP060S2-20x-S331

鍍層厚度:

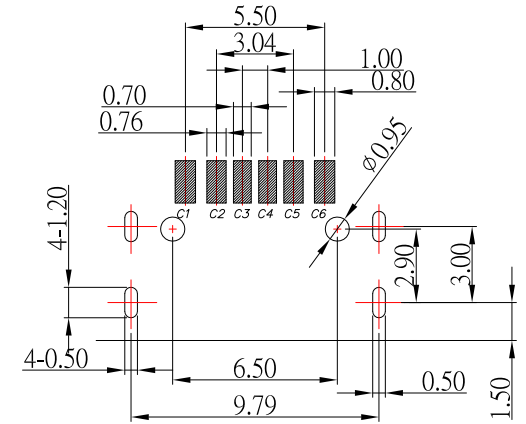
Blank	: 1u"
2	: 15u"
3	: 30u"



0.10



IPX7



P.C.B LAYOUT MOUNTING PATTERN

SPECIFICATIONS

Electrical:

1. Rating: 3.0A
2. Contact Resistance: 40 mΩ Max
3. Insulation Resistance: 100 MΩ Min
4. Dielectric Withstanding Voltage: 100V AC

Mechanical:

1. Connector Mate and Unmate Force
 - 1.1 Mate force: 5~20 N
 - 1.2 Unmate force: 8~20 N

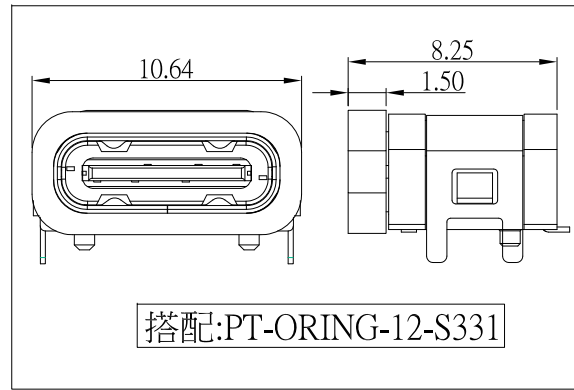
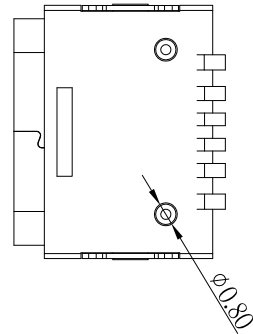
Material:

1. Housing: LCP
2. Contact: Copper Alloy
3. Shell: SUS

Finish:

1. Contact: Plated Gold in Mating Area ;
Tin Plated on Solder Balls ;
Nickel under plated overall
2. Shell: Nickel under Plated surface layer

PIN NO	A1&B12	A4&B9	A5	A5	A9&B4	A12&B1
SIGNAL NAME	GND	VBUS	CC1	CC2	VBUS	GND
PCB PAD NO.	C1	C2	C3	C4	C5	C6



搭配:PT-ORING-12-S331

CONTACT 建倚科技股份有限公司
CONTACT TECHNOLOGY CORP.

TOLERANCE UNLESS OTHERWISE STATED:
Up to 5 ±0.2
Above 5 ~ 15 ±0.3
Above 15 ~ 30 ±0.4
Above 30 ~ 50 ±0.5
Angle ±0.3

3RD. ANGEL'S

UNITS MM

DRAWN BY:	DATE	MAT'L	TITLE	CONNECTOR
Jack Lu	07/08/20	FINISH	MODLE	USB C TYPE 2.0 Female 防水型
CHECKED BY:	DATE	SCALE	DWG NO.	SBC-WP060S2-20x-S331
Jacky Chen	07/08/20	1 : 1	PART NO.	SBC-WP060S2-20x-S331
APPROVED BY:	DATE	SHEET NO.	1 of 1	
Tony Kao	07/08/20			

ITEM NO	DESCRIPTION	DRAWN	DATE