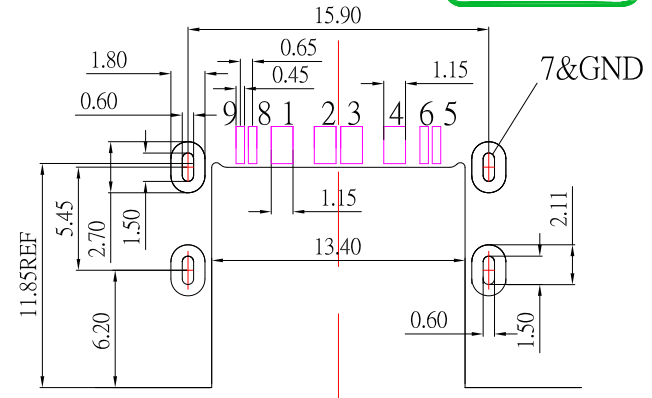
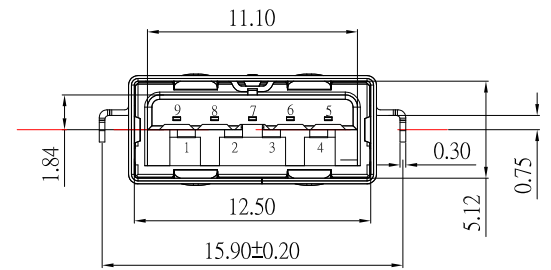
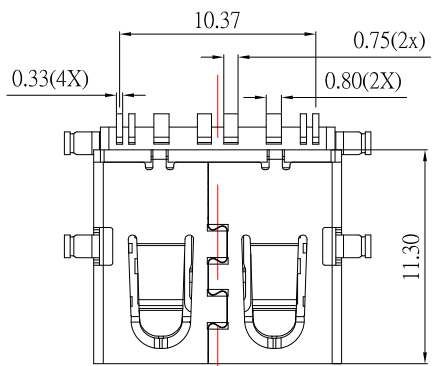
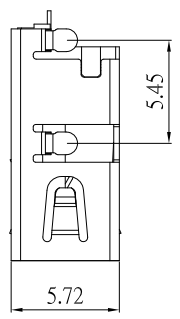
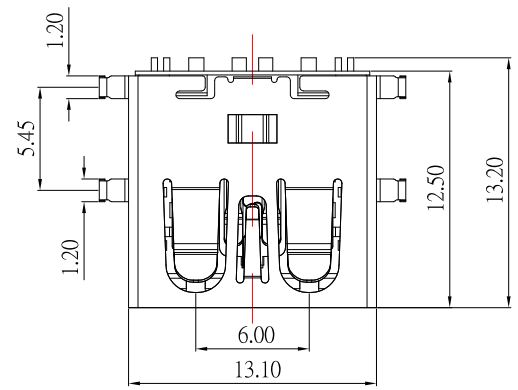
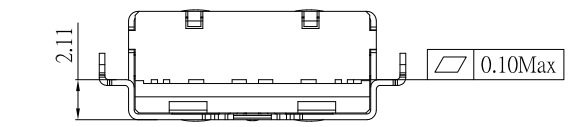




SUA-110E15-32x-S242

鍍層厚度:

Blank	: 1u"
2	: 15u"
3	: 30u"



RECOMMENDED PCB LAYOUT

NOTE:

1.MATERIAL:

- 1.1 Housing: LCP
- 1.2 Contact: Phosphor Bronze
- 1.3 Shell: SUS

2.Finish:

- 2.1 Contact: Plated Gold in Mating Area ;
Tin Plated on Solder Balls ;
Nickel under plated overall
- 2.2 Shell: Nickel under Plated surface layer

3.SPECIFICATION:

- 3.1 Rate: 3.0 A
- 3.2 insulator Resistance: 1000MΩ Min
- 3.3 Dielectric Strength: 500V AC
- 3.4 Contact Resistance: 30mΩ Max
- 3.5 Operation Temperature: -25°C ~ +85°C
- 3.6 Insertion Force: 35 N
- 3.7 Extraction Force: 10 N

Pin NUMBER	SIGNAL NAME
1	VBUS
2	D-
3	D+
4	GND
5	StdA_SSRX-
6	StdA_SSRX+
7	GND_DRAIN
8	StdA_SSTX-
9	StdA_SSTX+
Shell	Shield

CONTACT 建倚科技股份有限公司
CONTACT TECHNOLOGY CORP.

TOLERANCE UNLESS OTHERWISE STATED:
 Up to 5 ±0.2
 Above 5 ~ 15 ±0.3
 Above 15 ~ 30 ±0.4
 Above 30 ~ 50 ±0.5
 Angle ±0.3

3RD. ANGEL'S



UNITS

MM

DRAWN BY: Jack Lu
 CHECKED BY: Jacky Chen
 APPROVED BY: Tony Kao

DATE: 05/13/21
 DATE: 05/13/21
 DATE: 05/13/21

MAT'L		TITLE	CONNECTOR
FINISH		MODLE	USB AF 3.0 沉板上H2.11mm 無捲邊 GEN 2
SCALE	1 : 1	DWG NO.	SUA-110E15-32x-S242
SHEET NO.	1 of 1	PART NO.	SUA-110E15-32x-S242

SIZE	A4
VER	R

ITEM NO.	DESCRIPTION	DRAWN	DATE