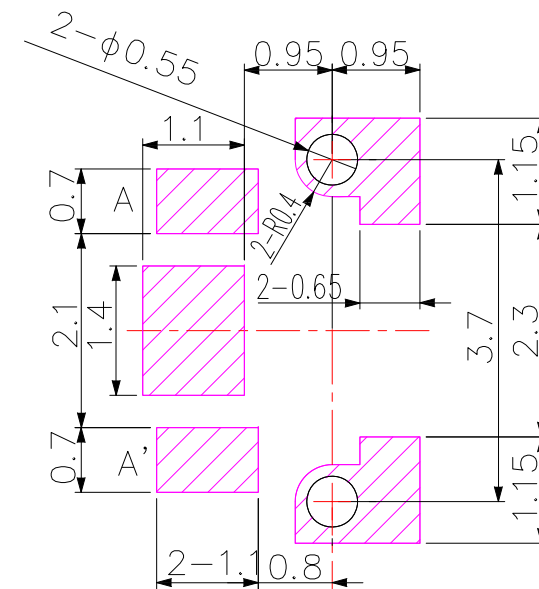
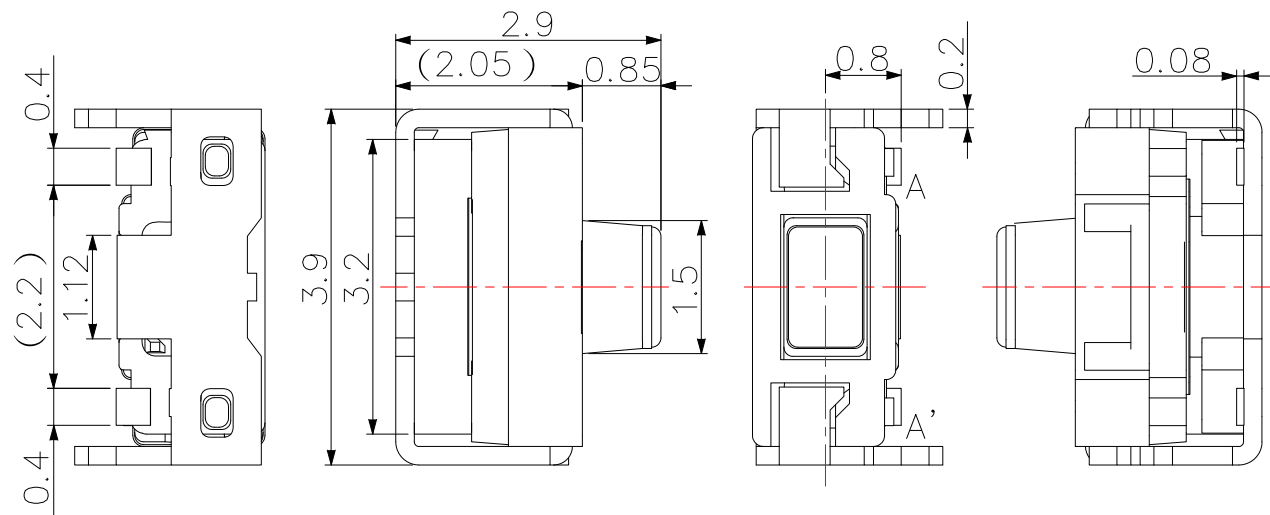
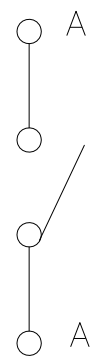
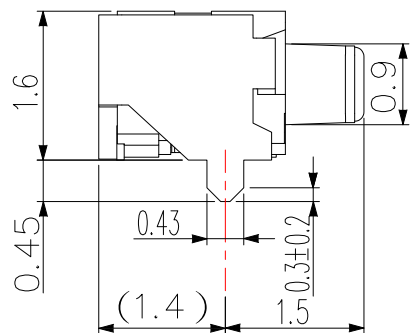


IP67



P.C.B LAND PATTERN & HOLE



CIRCUIT DIAGRAM

SPECIFICATIONS

Rating	DC 15V 20mA
Contact Resistance	100mΩ Max.
Travel	0.12 mm
Operating Force	160 ± 50gf
Operating Life (cycles)	500,000

CONTACT 建倚科技股份有限公司
CONTACT TECHNOLOGY CORP.

TOLERANCE UNLESS OTHERWISE STATED

Up to 5 ±0.2
 Above 5 ~ 30 ±0.3
 Above 30 ~ 50 ±0.4
 Above 50 ±0.5
 Angle ±0.3°

3RD. ANGEL'S



UNITS

MM

DRAWN BY: Jack Lu
 CHECKED BY: Jacky Chen
 APPROVED BY: Tony Kao

DATE: 06/07/21
 DATE: 06/07/21
 DATE: 06/07/21

MAT'L
 FINISH
 SCALE: 1 : 1
 SHEET NO.: 1 of 1

TITLE: SWITCH
 MODLE: TACT SWITCH R/A WATERPROOF TYPE
 DWG NO.: TS-309W-2-S182
 PART NO.: TS-309W-2-S182

SIZE: A4
 VER: R

ITEM NO.	DESCRIPTION	DRAWN	DATE