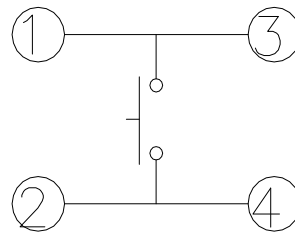
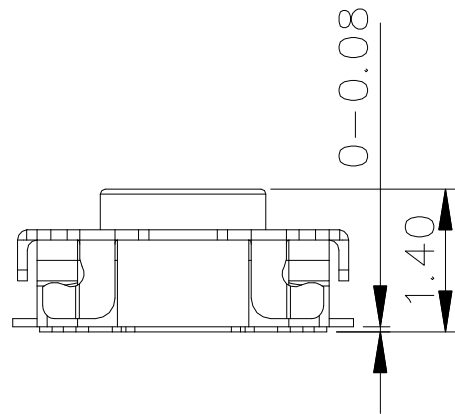


PCB LAYOUT



CIRCUIT DIAGRAM

SPECIFICATIONS

Rating	DC 15V 20mA.			
Contact Resistance	500 mΩ Max.			
Operating Force	2	160 ± 50gf	3	260 ± 50gf
Operating Life (cycles)	100,000			

E	TERMINAL	4	PHOSPHOR BRONZE	Ag plated
D	BASE	1	LCP	
C	CONTACT	1	SUS	Ag plated
B	COVER	1	SUS	
A	STEM	1	LCP	
NO.	DESCRIPTION	QTY	MATERIAL	PLATING

**CONTACT** 建倚科技股份有限公司  
CONTACT TECHNOLOGY CORP.

TOLERANCE UNLESS OTHERWISE STATED:  
 Up to 5 ±0.2  
 Above 5 ~ 15 ±0.3  
 Above 15 ~ 30 ±0.4  
 Above 30 ~ 50 ±0.5  
 Angle ±0.3°

3RD. ANGEL'S



UNITS MM

DRAWN BY: Jack Lu  
 CHECKED BY: Jacky Chen  
 APPROVED BY: Tony Kao

DATE: 06/15/18  
 DATE: 06/15/18  
 DATE: 06/15/18

MAT'L		TITLE	SWITCH
FINISH		MODLE	TACT SWITCH
SCALE	1 : 1	DWG NO.	TS-A82-x-S138
SHEET NO.	1 of 1	PART NO.	TS-A82-x-S138

ITEM NO.	DESCRIPTION	DRAWN	DATE

7

7

A B C D E F G H I J