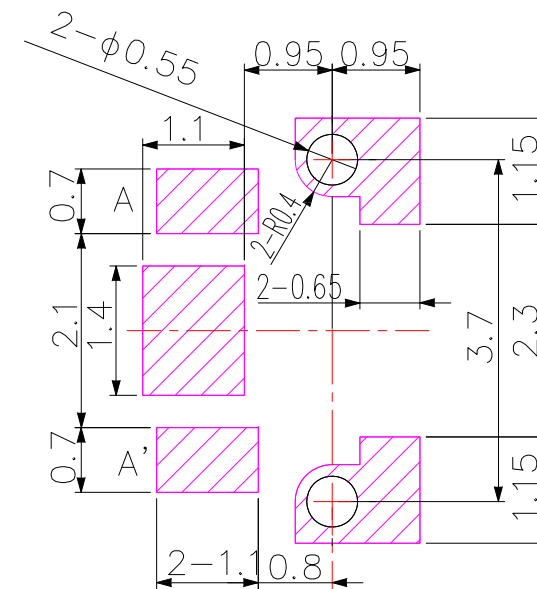
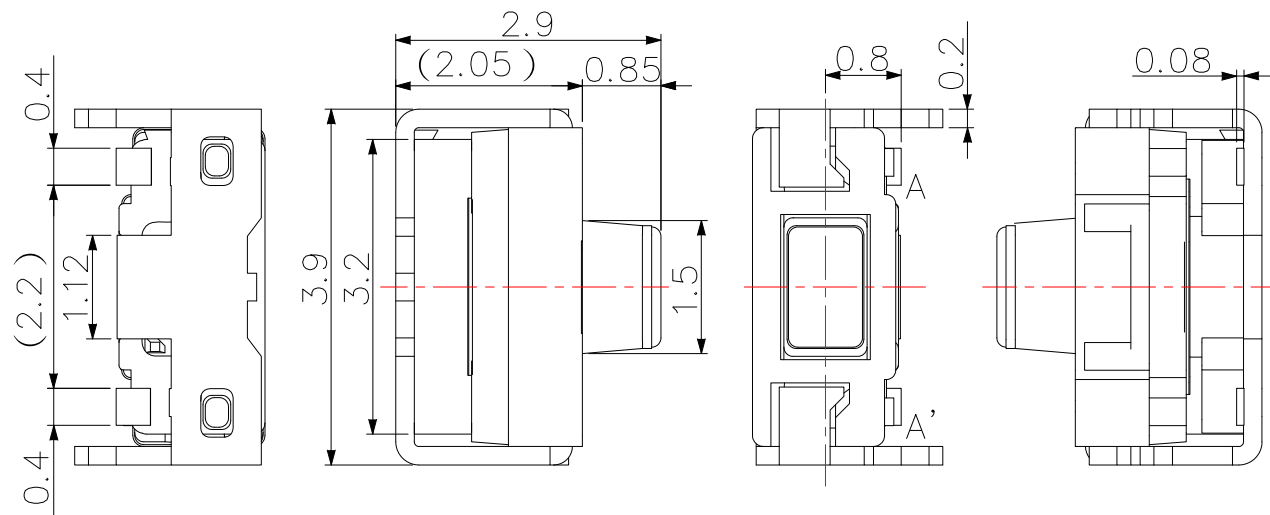
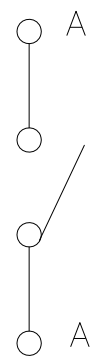
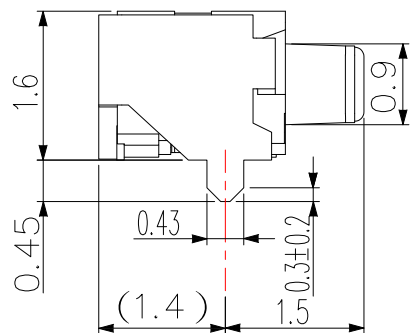


IP67



P.C.B LAND PATTERN & HOLE



CIRCUIT DIAGRAM

SPECIFICATIONS

Rating	DC 15V 20mA
Contact Resistance	100mΩ Max.
Travel	0.12 mm
Operating Force	160 ± 50gf
Operating Life (cycles)	500,000



建倚科技股份有限公司
CONTACT TECHNOLOGY CORP.

TOLERANCE UNLESS OTHERWISE STATED

Up to 5 ±0.2
Above 5 ~ 30 ±0.3
Above 30 ~ 50 ±0.4
Above 50 ±0.5
Angle ±0.3°

3RD. ANGEL'S



UNITS MM

DRAWN BY: Jack Lu
CHECKED BY: Jacky Chen
APPROVED BY: Tony Kao

DATE: 06/07/21
DATE: 06/07/21
DATE: 06/07/21

MAT'L		TITLE	SWITCH
FINISH		MODLE	TACT SWITCH R/A WATERPROOF TYPE
SCALE	1 : 1	DWG NO.	TS-309W-2-S182
SHEET NO.	1 of 1	PART NO.	TS-309W-2-S182

ITEM NO.	DESCRIPTION	DRAWN	DATE