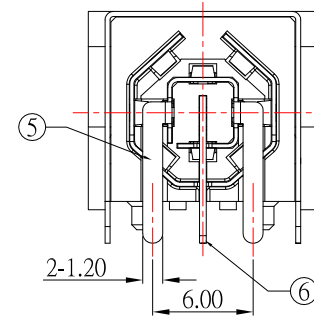
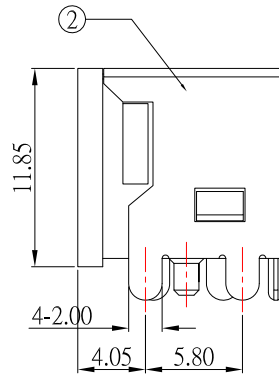
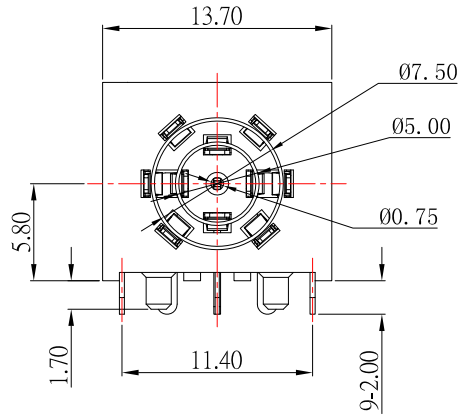


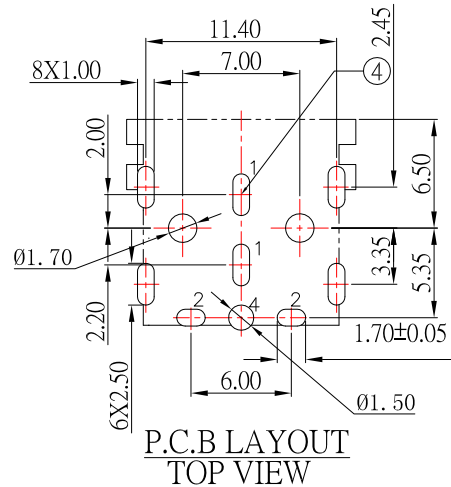
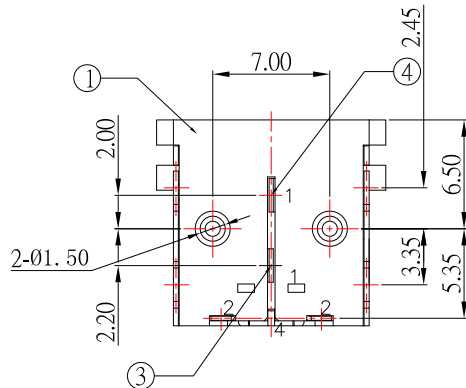
MATE PLUG  $\phi$ 7.40



MODEL NO.	DC-D286CH-0.6-S214
SCHEMATIC	<ul style="list-style-type: none"> <li>✓ ○ 2 (POWER PIN)</li> <li>⊖ ○ 4 (CENTER PIN)</li> <li>⋈ ○ 1 (GROUND PIN)</li> </ul>

**SPECIFICATION**

1. Rating : DC 20V 5.0A
2. Contact resistance :  $\leq 30m\Omega$
3. Insulation resistance :  $\geq 100M\Omega$
4. Withstand voltage : 500VAC
5. Insertion and extraction force : 3-30N
6. life test : 5,000 cycles



P.C.B LAYOUT  
TOP VIEW

NO.	DESCRIPTION	QTY	MATERIAL	PLATING
6	POWER	1	COPPER ALLOY	Au-Plating
5	POWER PIN	1	COPPER ALLOY	Au-Plating
4	GROUND PIN2	1	COPPER ALLOY	Au-Plating
3	GROUND PIN1	1	COPPER ALLOY	Au-Plating
2	SHIED	1	COPPER ALLOY	Ni-Plating
1	HOUSING	1	HIGH TEMP PLASTIC	

**CONTACT** 建倚科技股份有限公司  
CONTACT TECHNOLOGY CORP.

TOLERANCE UNLESS OTHERWISE STATED :  
 Up to 5 ±0.2  
 Above 5 ~ 15 ±0.3  
 Above 15 ~ 30 ±0.4  
 Above 30 ~ 50 ±0.5  
 Angle ±0.3

3RD. ANGEL'S



UNITS MM

DRAWN BY:	DATE	MAT'L	TITLE	JACK
Jack Lu	12/09/16		MODLE	DC JACK
CHECKED BY:	DATE	FINISH	SCALE	1 : 1
Jacky Chen	12/09/16		DWG NO.	DC-D286CH-0.6-S214
APPROVED BY:	DATE	SHEET NO.	PART NO.	DC-D286CH-0.6-S214
Tony Kao	12/09/16	1 of 1		

ITEM NO.	DESCRIPTION	DRAWN	DATE
1	更新life test	Jack	120916