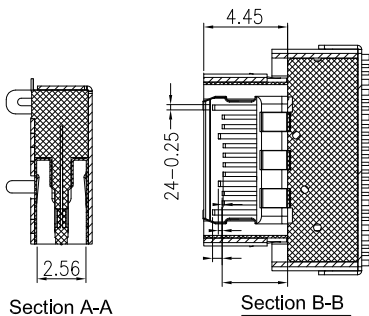
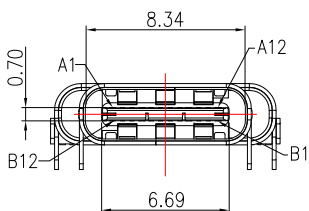
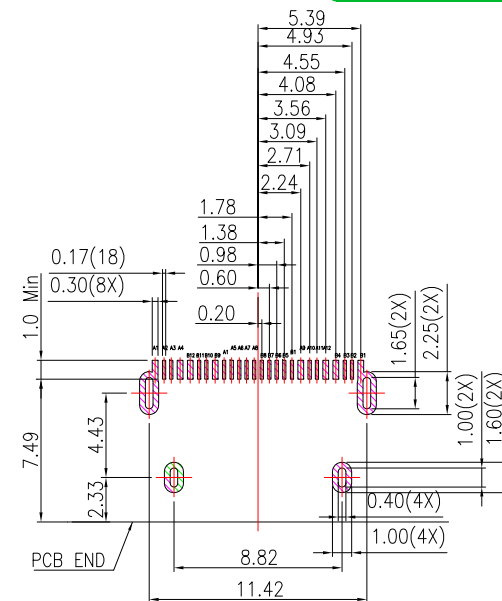
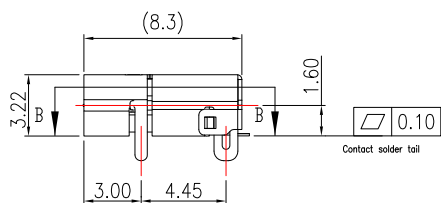
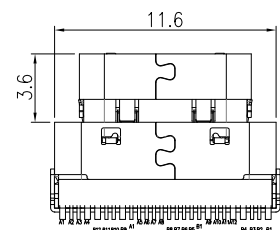


PLUG INTO RECEPTACLE REPRESENT



PIN ASSIGNMENT		
Pin Number	Signal Name	Description
A1	GND	Ground for Power Return
A2	SS TX1+	Positive half of first SuperSpeed TX differential pair
A3	SS TX1-	Negative half of first SuperSpeed TX differential pair
A4	VBUS	POWER
A5	CC1	Configuration Channel
A6	D-	USB2.0 differential pair
A7	D+	USB2.0 differential pair
A8	SBU1	Sidband Use (SBU)
A9	VBUS	POWER
A10	SS RX2-	Negative half of second SuperSpeed RX differential pair
A11	SS RX2+	Positive half of second SuperSpeed RX differential pair
A12	GND	Ground for Power Return
B12	GND	Ground for Power Return
B11	SS RX1+	Positive half of first SuperSpeed RX differential pair
B10	SS RX1-	Negative half of first SuperSpeed RX differential pair
B9	VBUS	POWER
B8	SBU2	Sidband Use (SBU)
B7	D-	USB2.0 differential pair
B6	D+	USB2.0 differential pair
B5	CC2	Configuration Channel
B4	VBUS	POWER
B3	SS TX2-	Negative half of second SuperSpeed TX differential pair
B2	SS TX2+	Positive half of second SuperSpeed TX differential pair
B1	GND	Ground for Power Return



P.C.B LAYOUT MOUNTING PATTERN

SPECIFICATIONS

Electrical:

1. Rating: 1.25A (VBUS and GND) ; 1.0A (OTHER PIN)
- 2.Contact Resistance: 40 mΩ Max
- 3.Insulation Resistance: 100 MΩ Min
- 4.Dielectric Withstanding Voltage: 100V AC

Mechanical:

- 1.Connector Mate and Unmate Force
 - 1.1 Mate force: 5~20 N
 - 1.2 Unmate force: 8~20 N

Material:

- 1.Housing: High Temperature Thermoplastic
- 2.Contact: Copper Alloy
- 3.Shell: Stainless Steel

Finish:

- 1.Contact: Plated Gold in Mating Area ;
Tin Plated on Solder Balls ;
Nickel under plated overall
- 2.Shell: Nickel under Plated surface layer

CONTACT 建倚科技股份有限公司
CONTACT TECHNOLOGY CORP.

TOLERANCE UNLESS OTHERWISE STATED:
Up to 5 ±0.2
Above 5 ~ 15 ±0.3
Above 15 ~ 30 ±0.4
Above 30 ~ 50 ±0.5
Angle ±0.3

3RD. ANGEL'S

UNITS MM

DRAWN BY:	DATE	MAT'L	TITLE	CONNECTOR
Jack Lu	06/10/21	FINISH	MODLE	USB4 TYPE CF 板上 SMT GEN 3,40G
CHECKED BY:	DATE	SCALE	DWG NO.	SBC-240S-45-S338
Jacky Chen	06/10/21	1 : 1	PART NO.	SBC-240S-45-S338
APPROVED BY:	DATE	SHEET NO.	1 of 1	
Tony Kao	06/10/21			

1	更新料號	Jack	061021
ITEM NO.	DESCRIPTION	DRAWN	DATE