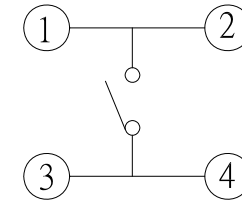
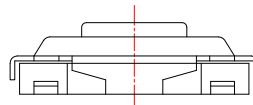
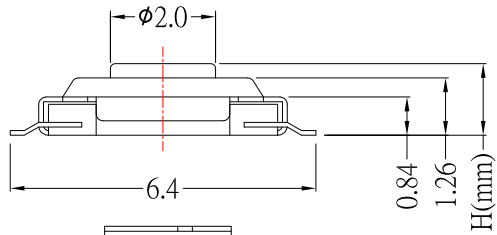
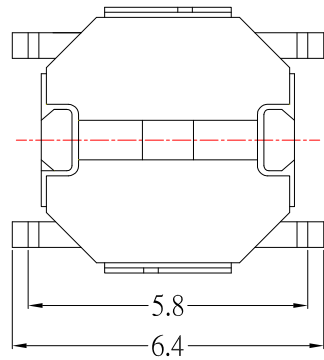


P.C.B MOUNTING PATTERN DIMENSION



CIRCUIT DIAGRAM



SPECIFICATIONS

Rating	DC 12V 50mA							
Contact Resistance	100mΩ Max.							
Travel	0.20 ± 0.1mm							
Operating Force	0	100 ± 30gf	1	130 ± 30gf	2	160 ± 50gf	3	250 ± 50gf
Operating Life (cycles)	100,000				80,000			

Model	H(mm)	STEM MATERIAL
TS-A87	1.5	BRASS
TS-A87A	4.3	LCP
TS-A87B	1.7	LCP
TS-A87B1	1.7	BRASS
TS-A87D	2.3	BRASS
TS-A87F	2.5	BRASS
TS-A87E	3.0	BRASS
TS-A87K	3.3	BRASS

ITEM NO.	DESCRIPTION	DRAWN	DATE
10	新增高度B1選項	Jack	081015
9	新增高度3.3選項	Jack	041515
8	更新料號	Jack	080114
7	新增高度選項	Jack	071614
6	更新pcb layout外觀無接地及高度選項及新增STEM MATERIAL	Jack	062714
5	新增Operating Force選項100gf	Jack	032014
4	新增高度選項	Jack	031414
3	更新實體圖及背面圖及pcb layout	Jack	021414
2	更新實體圖	Jack	062113
1	更新SPEC	Jack	042213

CONTACT 建倚科技股份有限公司
CONTACT TECHNOLOGY CORP.

TOLERANCE UNLESS OTHERWISE STATED:
 Up to 5 ±0.2
 Above 5 ~ 15 ±0.3
 Above 15 ~ 30 ±0.4
 Above 30 ~ 50 ±0.5
 Angle ±0.3°

3RD. ANGEL'S



UNITS MM

DRAWN BY: Jack Lu
 CHECKED BY: Jacky Chen
 APPROVED BY: Tony Kao

DATE: 08/10/15
 DATE: 08/10/15
 DATE: 08/10/15

MAT'L		TITLE	SWITCH
FINISH		MODLE	TACT SWITCH
SCALE	1 : 1	DWG NO.	TS-A87x-x-S126
SHEET NO.	1 of 1	PART NO.	TS-A87x-x-S126
		SIZE	A4
		VER	A10