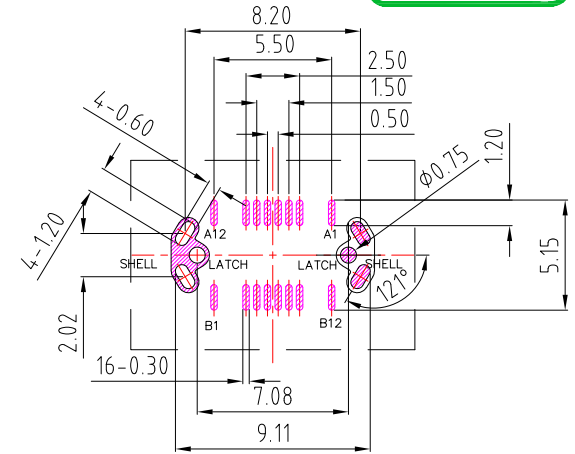
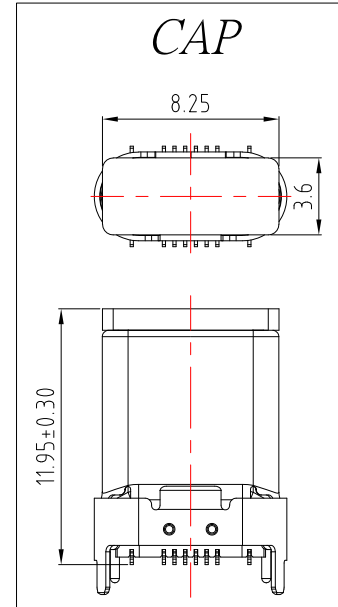
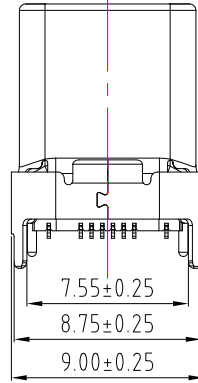
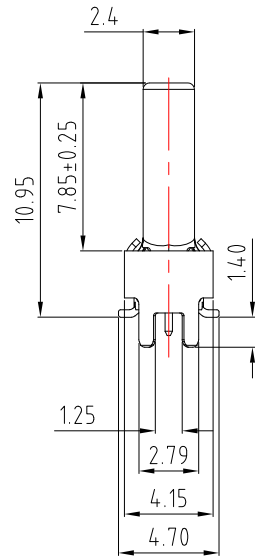
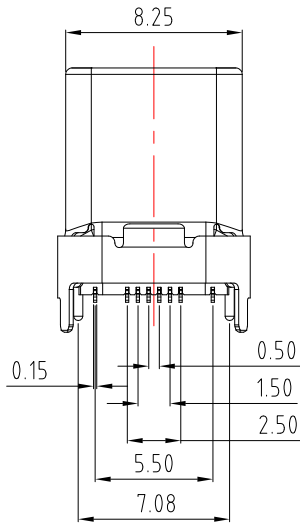
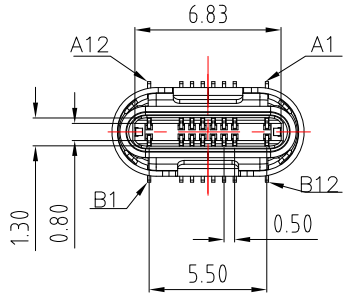




# SBC-161VSE1-20x-S338

鍍層厚度：

Blank	: 1u"
2	: 15u"
3	: 30u"



RECOMMENDED P.C.B. LAYOUT

## SPECIFICATIONS

Material:

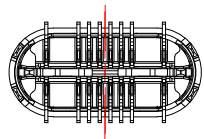
- 1.Housing: LCP
- 2.Contact: C7025
- 3.Shell: SUS

Finish:

- 1.Contact: Plated Gold in Mating Area ;  
Tin Plated on Solder Balls ;  
Nickel under plated overall
- 2.Shell: Nickel under Plated surface layer

PINS DESCRIPTION  
PLUG FRONT VIEW

A12	A11	A10	A9	A8	A7	A6	A5	A4	A3	A2	A1
GND	/	/	VBus	SBU1	D-	D+	CC	VBus	/	/	GND
GND	/	/	VBus	Vconn	/	/	SBU2	VBus	/	/	GND
B1	B2	B3	B4	B5	B6	B7	B8	B9	B10	B11	B12



3	新增PCB LAYOUT尺寸	Jack	102225
2	更新尺寸標示位置	Jack	032922
1	更新樣式和pcb layout尺寸	Jack	032322
ITEM NO.	DESCRIPTION	DRAWN	DATE

**CONTACT** 建倚科技股份有限公司  
**CONTACT TECHNOLOGY CORP.**

TOLERANCE UNLESS OTHERWISE STATED :

Up to 5	±0.2	3RD. ANGEL'S	UNITS	MM
Above 5 ~ 15	±0.3			
Above 15 ~ 30	±0.4			
Above 30 ~ 50	±0.5			
Angle	±0.3			

DRAWN BY:	DATE	MAT'L	TITLE	CONNECTOR
Jack Lu	10/22/25			
CHECKED BY:	DATE	FINISH	MODLE	TYPE C M 直立式 SMT H10.95 拉伸款
Jacky Chen	10/22/25	SCALE	1 : 1	DWG NO. SBC-161VSE1-20x-S338
APPROVED BY:	DATE	SHEET NO.	1 of 1	PART NO. SBC-161VSE1-20x-S338
Tony Kao	10/22/25			SIZE A4 VER R3