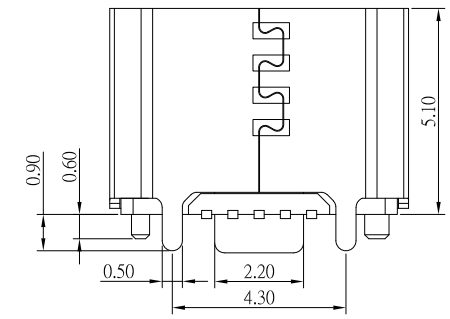
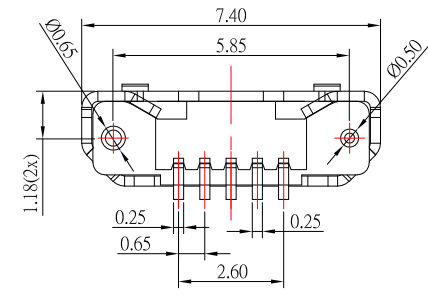
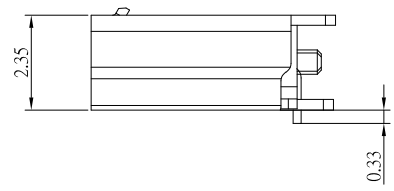
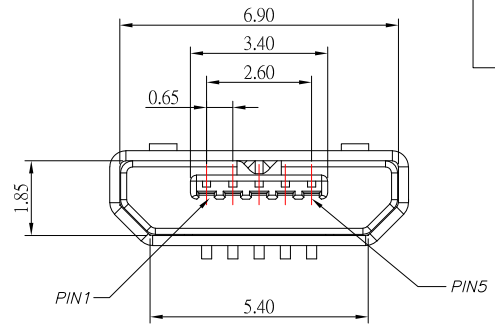


P.C.B LAYOUT MOUNTING PATTERN



NOTES:

1.MATERIAL:

- 1.1 HOUSING: LCP,Black
- 1.2 CONTACT: BRASS
- 1.3 SHELL: SUS

2.Finish:

- 2.1 CONTACT: PLATED GOLD IN MATING AREA ;  
GOLD PLATED ON SOLDER BALLS ;  
NICKEL UNDER PLATED OVERALL
- 2.2 SHELL: NICKEL UNDER PLATED SURFACE LAYER

3.SPECIFICATION:

- 3.1 RATING: 30V, 1.0 A
- 3.2 DIELECTRIC WITHSSTANDING VOLTAGE: 100 VAC / MINUTE
- 3.3 CONTACT RESISTANCE: 30 mΩ MAX.
- 3.4 INSULATION RESISTANCE: 100 MΩ MIN.
- 3.5 LIFE: 10,000 CYCLES

3	更新圖面	Jack	112625
2	新增HOUSING顏色	Jack	011425
1	新增PCB LAYOUT中PIN編號	Jack	021722
ITEM NO.	DESCRIPTION	DRAWN	DATE

**CONTACT** 建倚科技股份有限公司  
**CONTACT TECHNOLOGY CORP.**

TOLERANCE UNLESS OTHERWISE STATED :

Up to 5	±0.2	3RD. ANGEL'S	UNITS	MM
Above 5 ~ 15	±0.3			
Above 15 ~ 30	±0.4			
Above 30 ~ 50	±0.5			
Angle	±0.3°			

DRAWN BY:	DATE	MAT'L	TITLE	CONNECTOR
Jack Lu	11/26/25			
CHECKED BY:	DATE	FINISH	MODLE	MICRO USB 直立式 SMT TYPE 無捲邊有柱
Jacky Chen	11/26/25	SCALE	1 : 1	DWG NO. MRUSB-5B-VSE1A-S165
APPROVED BY:	DATE	SHEET NO.	1 of 1	PART NO. MRUSB-5B-VSE1A-S165
Tony Kao	11/26/25			SIZE A4 VER R3