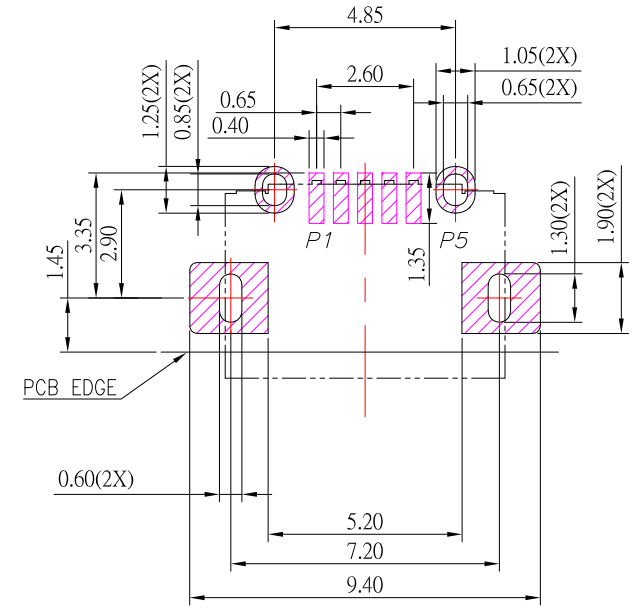
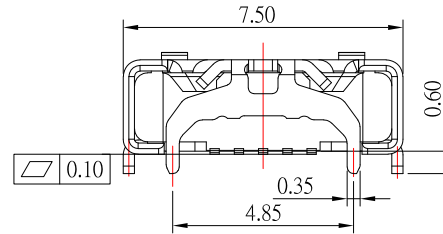
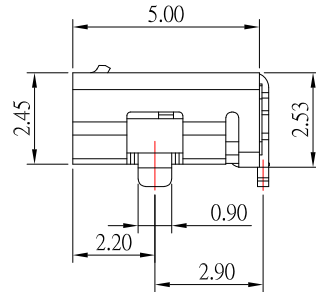
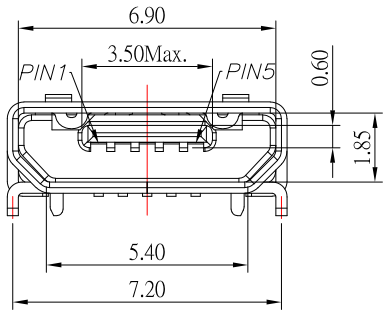
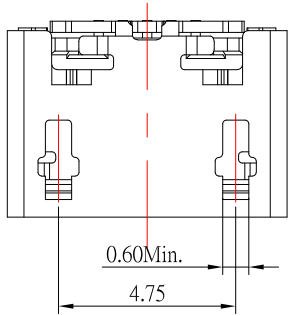




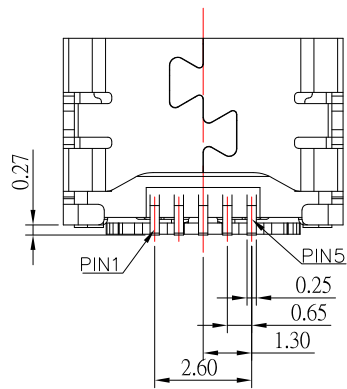
MRUSB-5B-D22-x-S331

SHELL 鍍層:

TN
NI



P.C.B LAYOUT MOUNTING PATTERN



MICRO USB PIN ASSIGNMENTS

PIN NUMBER	SIGNAL NAME
Pin1	VBUS
Pin2	D-
Pin3	D+
Pin4	ID
Pin5	GND

NOTES:

MATERIAL:

- 1.1 HOUSING: LCP
- 1.2 CONTACT: BRASS
- 1.3 SHELL: SUS

Finish:

- 2.1 Contact: Plated Gold in Mating Area ;
Gold Plated on Solder Balls
Nickel under plated overall
- 2.2 Shell: Nickel or Tin under Plated surface layer

3.SPECIFICATION:

- 3.1 CURRENT RATING: 1.8 A MAX(VBUS & GND)
0.5 A MAX(OTHER)
- 3.2 DIELECTRIC WITHSTANDING VOLTAGE: 100 V(ac) FOR 1min
- 3.3 CONTACT RESISTANCE: 30 mΩ MAX.
- 3.4 INSULATION RESISTANCE: 100 MΩ MIN.
- 3.5 TEMPERATURE RANGE: -25°C ~ +85°C



TOLERANCE UNLESS OTHERWISE STATED :	Up to 5 ±0.2	5 ~ 15 ±0.3	15 ~ 30 ±0.4	30 ~ 50 ±0.5	Angle ±0.3°
	3RD. ANGEL'S	UNITS	MM		

DRAWN BY:	DATE	MAT'L	TITLE	CONNECTOR
Jack Lu	05/29/26			
CHECKED BY:	DATE	FINISH	MODLE	MICRO USB 4 腳全插(牛角型) 無柱無捲邊 PH 4.85- 7.2mm 腳距2.90 腳長 0.6mm
Jacky Chen	05/29/26			
APPROVED BY:	DATE	SCALE	DWG NO.	MRUSB-5B-D22-x-S331
Tony Kao	05/29/26	1 : 1		
		SHEET NO.	PART NO.	MRUSB-5B-D22-x-S331
		1 of 1		
				SIZE A4
				VER R1

1	刪除D/C標示	Jack	052926
ITEM NO.	DESCRIPTION	DRAWN	DATE