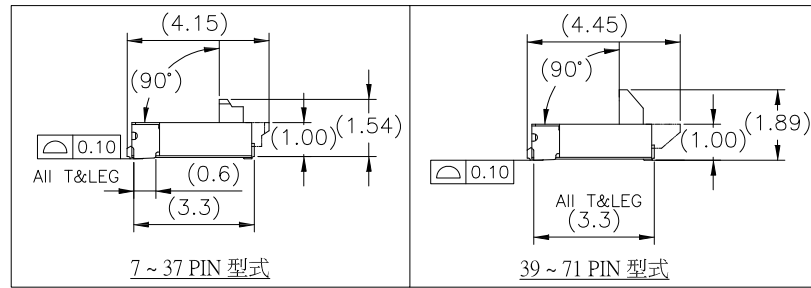
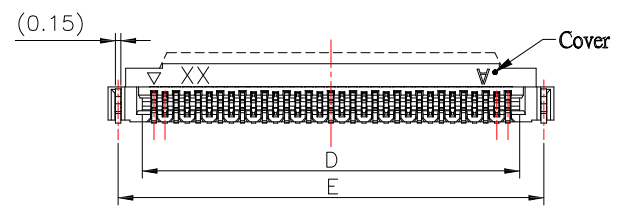


RECOMMENDED PCB LAYOUT



SPECIFICATIONS

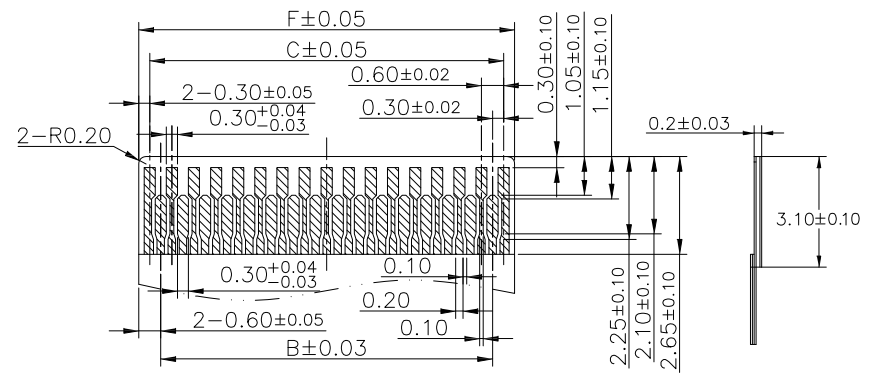
- Electrical Characteristics:
- 1.1 Current rating: 0.3A AC / DC
 - 1.2 Voltage rating: 30V AC / DC
 - 1.3 Operating Temperature range: -55°C ~ +85°C

Material:

- 1.1 Housing: LCP, Color: Natural
- 1.2 Contact: Phosphor Bronze
- 1.3 Peg : Phosphor Bronze
- 1.4 Cover: PA4T, Color: Black

Finish:

- 1.1 Contact: Plated Gold in Mating Area ;
Gold Plated on Solder Balls
Nickel under plated overall
- 1.2 Peg: Tin Plated over Nickel



RECOMMENDED FPC/FFC DIMENSIONS

PIN NO.(N)	DIM A	DIM B	DIM C	DIM D	DIM E	DIM F
07	4.30	1.20	1.80	2.43	3.75	2.40
11	5.50	2.40	3.00	3.63	4.95	3.60
13	6.10	3.00	3.60	4.23	5.55	4.20
15	6.70	3.60	4.20	4.83	6.15	4.80
19	7.90	4.80	5.40	6.03	7.35	6.00
21	8.50	5.40	6.00	6.63	7.95	6.60
23	9.10	6.00	6.60	7.23	8.55	7.20
25	9.70	6.60	7.20	7.83	9.15	7.80
31	11.50	8.40	9.00	9.63	10.95	9.60
33	12.10	9.00	9.60	10.23	11.55	10.20
35	12.70	9.60	10.20	10.83	12.15	10.80
39	13.90	10.80	11.40	12.03	13.35	12.00
41	14.50	11.40	12.00	12.63	13.95	12.60
45	15.70	12.60	13.20	13.83	15.15	13.80
51	17.50	14.40	15.00	15.63	16.95	15.60

ITEM NO.	DESCRIPTION	DRAWN	DATE
4	更新PIN樹選項	Jack	052226
3	更新樣式	Jack	031425
2	更新Cover材質	Jack	040623
1	更新PIN選項	Jack	051022

建倚科技股份有限公司
CONTACT TECHNOLOGY CORP.

TOLERANCE UNLESS OTHERWISE STATED :

Up to 5	±0.2
Above 5 ~ 15	±0.3
Above 15 ~ 30	±0.4
Above 30 ~ 50	±0.5
Angle	±0.3

3RD. ANGEL'S

UNITS MM

DRAWN BY:	DATE	MATL	TITLE	CONNECTOR
Jack Lu	05/22/26			
CHECKED BY:	DATE	FINISH	MODLE	0.3mm H:1.0 FPC 後掀式
Jacky Chen	05/22/26			
APPROVED BY:	DATE	SCALE	DWG NO.	FPC03D-10xx-C2-S149
Tony Kao	05/22/26	1 : 1		
SHEET NO.	1 of 1	PART NO.	FPC03D-10xx-C2-S149	
		SIZE	A4	
		VER	R4	