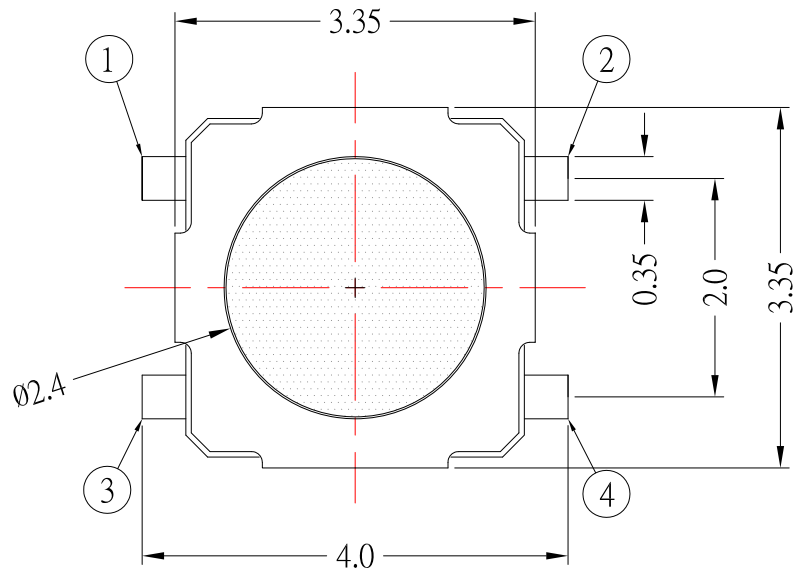
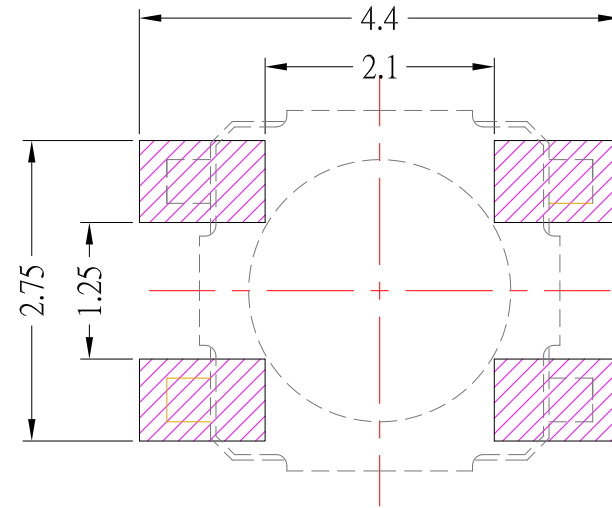


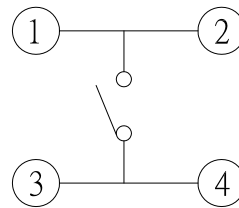
DIMENSIONS



P.C.B LAYOUT MOUNTING PATTERN

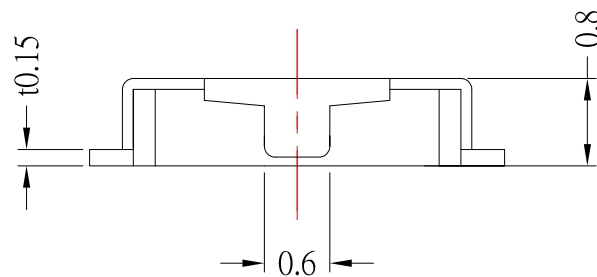


CIRCUIT DIAGRAM



SPECIFICATIONS

| | | |
|-------------------------|------------------|------------|
| Rating | DC 12V 50mA Max. | |
| Contact Resistance | 100mΩ Max. | |
| Travel | 0.15 ± 0.1mm | |
| Operating Force | 2:160±50gf | 3:260±50gf |
| Operating Life (cycles) | 100,000 | |



CONTACT 建倚科技股份有限公司
CONTACT TECHNOLOGY CORP.

TOLERANCE UNLESS OTHERWISE STATED:
 Up to 5 ±0.2
 Above 5 ~ 15 ±0.3
 Above 15 ~ 30 ±0.4
 Above 30 ~ 50 ±0.5
 Angle ±0.3°

3RD. ANGEL'S



UNITS MM

| | | | | |
|--------------|----------|-----------|----------|-----------------|
| DRAWN BY: | DATE | MAT'L | TITLE | SWITCH |
| Frank Wu | 06/26/12 | | MODLE | TACT SWITCH |
| CHECKED BY: | DATE | FINISH | SCALE | 1 : 1 |
| Jacky Chen | 06/26/12 | | DWG NO. | TS-307PF-x-S126 |
| APPROVED BY: | DATE | SHEET NO. | PART NO. | TS-307PF-x-S126 |
| Tony Kao | 06/26/12 | 1 of 1 | | |

| | | | |
|----------|-------------|-------|------|
| ITEM NO. | DESCRIPTION | DRAWN | DATE |
| | | | |
| | | | |
| | | | |