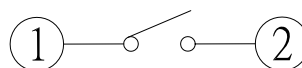
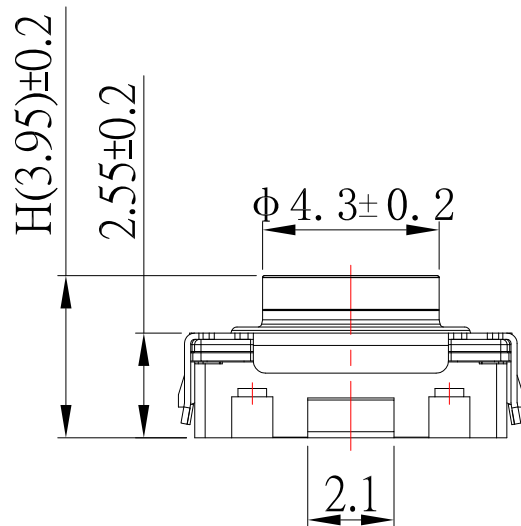


P.C.B MOUNTING PATTERN DIMENSION



CIRCUIT DIAGRAM

SPECIFICATIONS

| | |
|-------------------------|------------------|
| Rating | DC 12V 50mA Max. |
| Contact Resistance | 100mΩ Max. |
| Travel | 0.90 ± 0.2mm |
| Operating Force | 400 ± 80gf |
| Operating Life (cycles) | 500,000 |

| NO | PART NAME | QTY | MATERIAL | REMARK |
|----|-------------------|-----|----------|------------|
| 5 | TERMINAL (端子) | 1 | H65 | Ag plating |
| 4 | HOUSING (基座) | 1 | LCP | — |
| 3 | CONTACT FORM (弹片) | 1 | SUS | Ag plating |
| 2 | COVER (盖板) | 1 | SUS | |
| 1 | STEM (按钮) | 1 | SILICONE | |

CONTACT 建倚科技股份有限公司
CONTACT TECHNOLOGY CORP.

TOLERANCE UNLESS OTHERWISE STATED:
 Up to 5 ±0.2
 Above 5 ~ 15 ±0.3
 Above 15 ~ 30 ±0.4
 Above 30 ~ 50 ±0.5
 Angle ±0.3

3RD. ANGEL'S



UNITS MM

DRAWN BY: Jack Lu
 CHECKED BY: Jacky Chen
 APPROVED BY: Tony Kao

DATE: 10/29/19

MATL: FINISH: SCALE: 1 : 1

DATE: 10/29/19
 TITLE: SWITCH
 MODLE: TACT SWITCH Long Travel :0.9mm
 DWG NO.: TS-A69-7-S138
 PART NO.: TS-A69-7-S138

| ITEM NO. | DESCRIPTION | DRAWN | DATE |
|----------|-------------|-------|------|
| | | | |
| | | | |
| | | | |