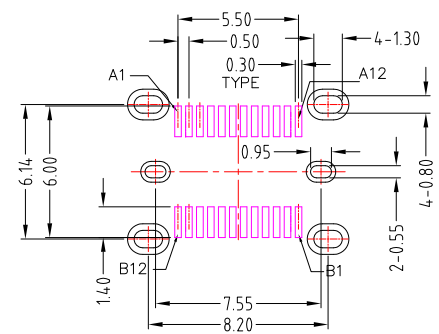
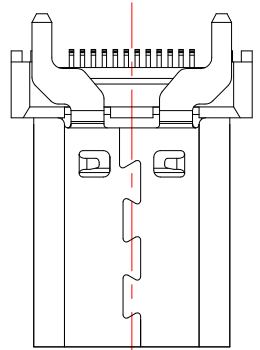




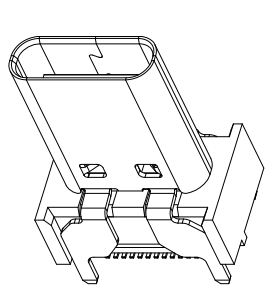
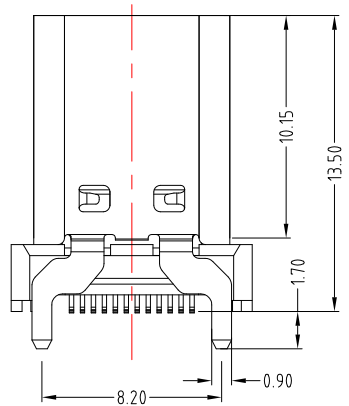
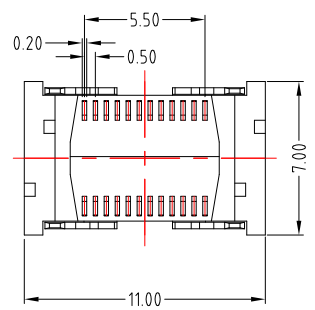
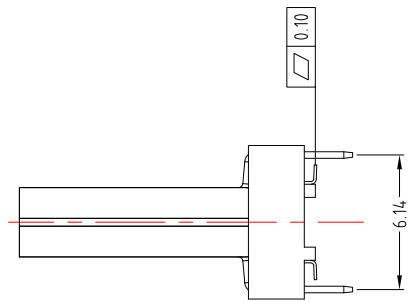
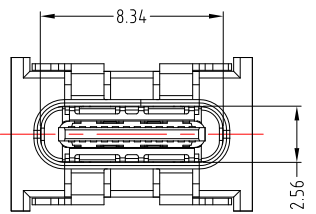
SBC-240VSE6-31x-S277

鍍層厚度 :

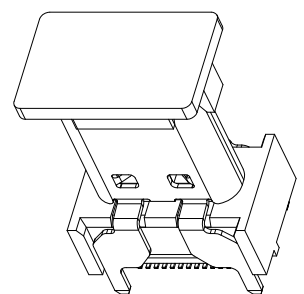
Blank : 1u"
2 : 15u"
3 : 30u"



RECOMMEND P.C.B LAYOUT



WITHOUT COVER



WITH COVER

SPECIFICATIONS

Electrical:

1. Dielectric Withstand Voltage: 100V AC
2. Contact Resistance: 40 mΩ Max
3. Insulation Resistance: 100 MΩ Min

Mechanical:

1. Connector Mate and Unmate Force
 - 1.1 Mate force: 5~20 N
 - 1.2 Unmate force: 8~20 N

Material:

1. Housing: High Temperature Plastic
2. Contact: Copper Alloy
3. Shell: SUS

Finish:

1. Contact: Plated Gold in Mating Area ;
Tin Plated on Solder Balls ;
Nickel under plated overall
2. Shell: Nickel under Plated surface layer

CONTACT 建倚科技股份有限公司
CONTACT TECHNOLOGY CORP.

TOLERANCE UNLESS OTHERWISE STATED :	Up to 5 ±0.2	3RD. ANGEL'S	UNITS	MM
	Above 5 ~ 15 ±0.3			
	Above 15 ~ 30 ±0.4			
	Above 30 ~ 50 ±0.5			
	Angle ±0.3°			

DRAWN BY:	DATE	MAT'L	TITLE	CONNECTOR
Jack Lu	05/09/19		MODLE	TYPE C FEMALE VERTICAL H:13.5mm SMT TYPE
CHECKED BY:	DATE	SCALE	DWG NO.	SBC-240VSE6-31x-S277
Jacky Chen	05/09/19	1 : 1	PART NO.	SBC-240VSE6-31x-S277
APPROVED BY:	DATE	SHEET NO.	1 of 1	
Tony Kao	05/09/19			

ITEM NO.	DESCRIPTION	DRAWN	DATE