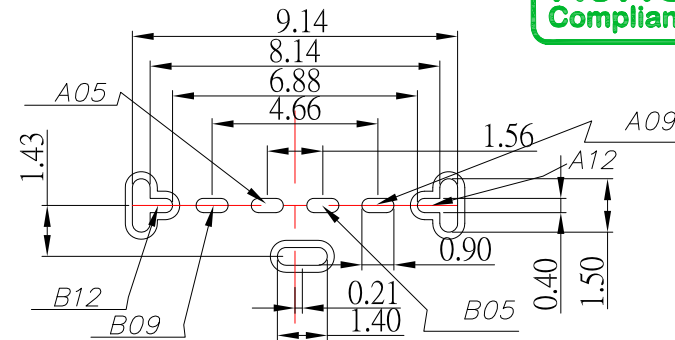


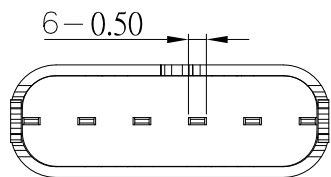
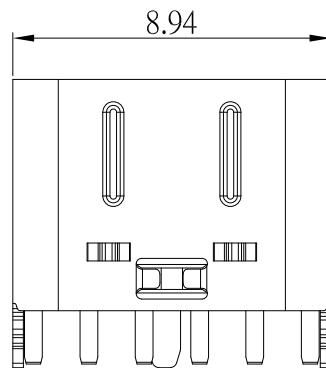
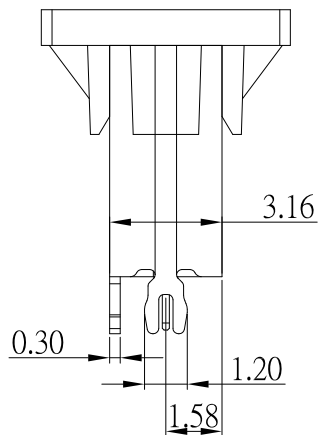
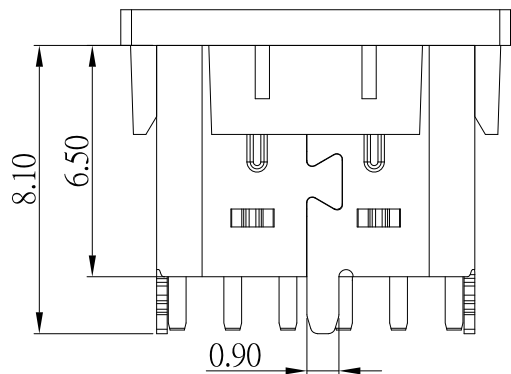
SBC-060V-20x-S412

鍍層厚度:

Blank	: 1u"
2	: 15u"
3	: 30u"



RECOMMENDED P.C.B. LAYOUT



**SPECIFICATIONS**

**Electrical:**

1. Rating: 20V , 3.0A For VBUS  
1.25A For GND  
0.25A For OTHER
2. Dielectric Withstand Voltage: 100V AC
3. Contact Resistance: 40 mΩ Max
4. Insulation Resistance: 100 MΩ Min

**Mechanical:**

1. Connector Mate and Unmate Force
  - 1.1 Mate force: 5~20 N
  - 1.2 Unmate force: 8~20 N

**Material:**

1. Housing: LCP
2. Contact: Copper Alloy
3. Shell: SUS

**Finish:**

1. Contact: Plated Gold in Mating Area ;  
Gold Plated on Solder Balls ;  
Nickel under plated overall
2. Shell: Nickel under Plated surface layer

B12	GND
B9	VBUS
B5	CC2
A5	CC1
A9	VBUS
A12	GND
PIN	SIGNAL NAME

4	更新PCB LAYOUT	Jack	010521
3	更新PCB LAYOUT及新增尺寸	Jack	123120
2	新增尺寸及更新PCB LAYOUT尺寸	Jack	121120
1	更新圖面	Jack	120820
ITEM NO.	DESCRIPTION	DRAWN	DATE

**CONTACT** 建倚科技股份有限公司  
**CONTACT TECHNOLOGY CORP.**

TOLERANCE UNLESS OTHERWISE STATED:  
 Up to 5 ±0.2  
 Above 5 ~ 15 ±0.3  
 Above 15 ~ 30 ±0.4  
 Above 30 ~ 50 ±0.5  
 Angle ±0.3°

3RD. ANGEL'S

UNITS MM

DRAWN BY:	DATE	MAT'L	TITLE	CONNECTOR
Jack Lu	01/05/21			
CHECKED BY:	DATE	FINISH	MODLE	TYPE C 6PIN 直立式DIP L6.5mm
Jacky Chen	01/05/21			
APPROVED BY:	DATE	SCALE	DWG NO.	SBC-060V-20x-S412
Tony Kao	01/05/21	1 : 1	PART NO.	SBC-060V-20x-S412
		SHEET NO.	1 of 1	SIZE A4
				VER R4