

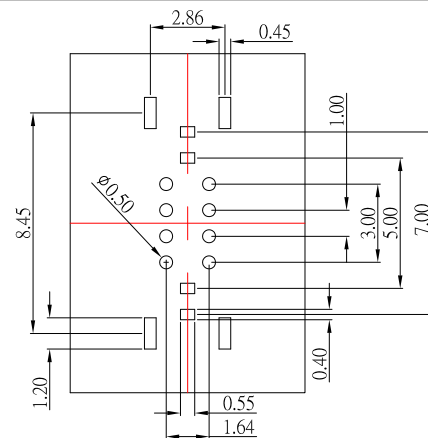
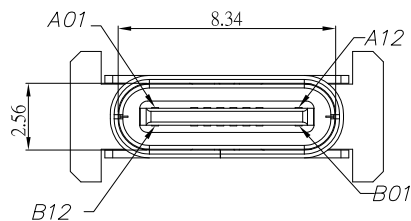


SBC-160Vx-20x-S412

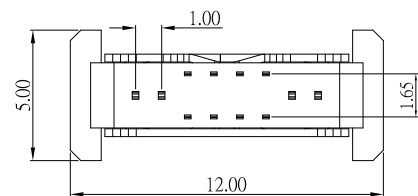
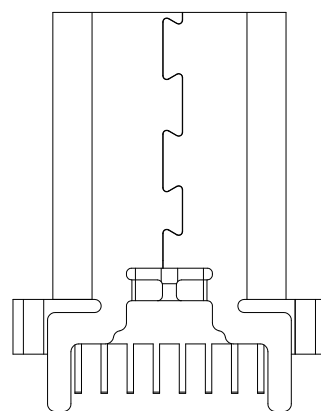
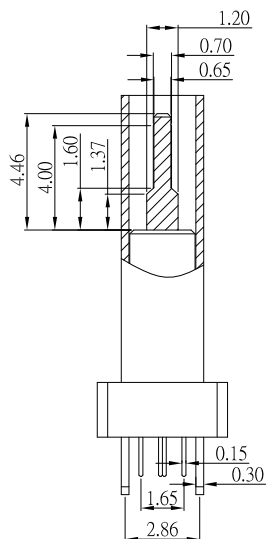
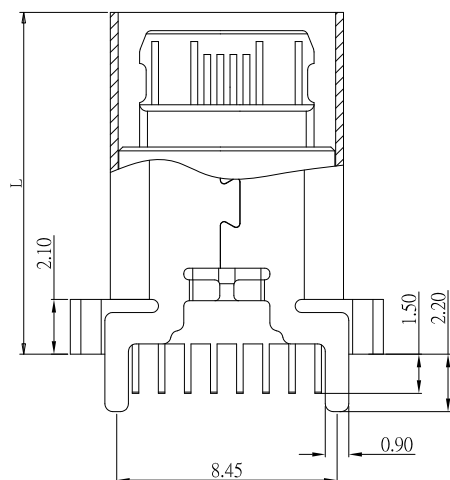
	A	B	C	D	F	J	K	L
L	9.30	10.00	10.50	12.40	13.10	13.70	15.00	17.50

鍍層厚度:

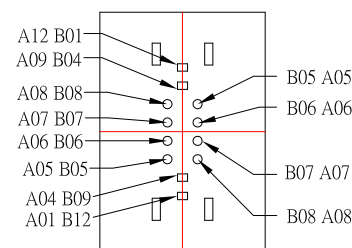
Blank	: 1u"
2	: 15u"
3	: 30u"



RECOMMENDED P.C.B. LAYOUT



A1	GND	B12	GND
A4	VBUS	B9	VBUS
A5	CC1	B8	SBU2
A6	DP1	B7	DN2
A7	DN1	B6	DP2
A8	SBU1	B5	CC2
A9	VBUS	B4	VBUS
A12	GND	B1	GND
PIN	SIGNAL NAME	PIN	SIGNAL NAME



SPECIFICATIONS

Electrical:

1. Dielectric Withstand Voltage: 100V AC
2. Contact Resistance: 30 mΩ Max
3. Insulation Resistance: 100 MΩ Min

Mechanical:

1. Connector Mate and Unmate Force
 - 1.1 Mate force: 5~20 N
 - 1.2 Unmate force: 8~20 N

Material:

1. Housing: LCP
2. Contact: Copper Alloy
3. Shell: SUS

Finish:

1. Contact: Plated Gold in Mating Area ;
Tin Plated on Solder Balls ;
Nickel under plated overall
2. Shell: Nickel under Plated surface layer

CONTACT 建倚科技股份有限公司
CONTACT TECHNOLOGY CORP.

TOLERANCE UNLESS OTHERWISE STATED:
Up to 5 ±0.2
Above 5 ~ 15 ±0.3
Above 15 ~ 30 ±0.4
Above 30 ~ 50 ±0.5
Angle ±0.3°

3RD. ANGEL'S

UNITS MM

DRAWN BY:	DATE	MAT'L	TITLE	CONNECTOR
Jack Lu	07/30/20		MODLE	TYPE CF 16P 180度 插板
CHECKED BY:	DATE	FINISH	SCALE	1 : 1
Jacky Chen	07/30/20		DWG NO.	SBC-160Vx-20x-S412
APPROVED BY:	DATE	SHEET NO.	PART NO.	SBC-160Vx-20x-S412
Tony Kao	07/30/20	1 of 1		

ITEM NO.	DESCRIPTION	DRAWN	DATE
3	新增尺寸	Jack	073020
2	新增背面圖示	Jack	111119
1	更新選項代碼	Jack	101519