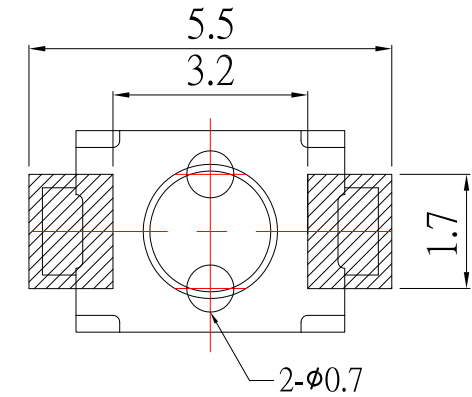
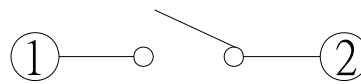




P.C.B. LAYOUT MOUNTING PATTERN

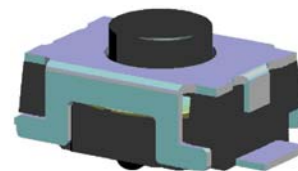


CIRCUIT DIAGRAM



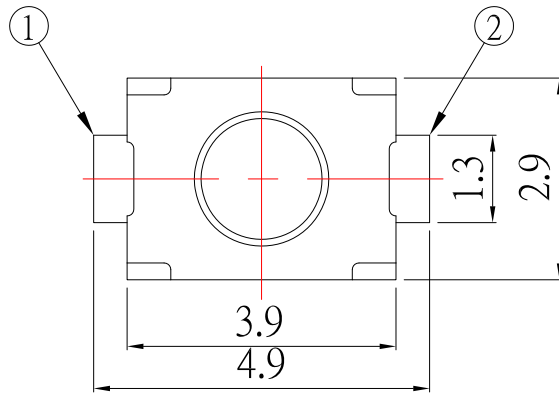
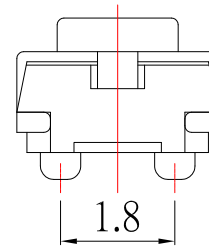
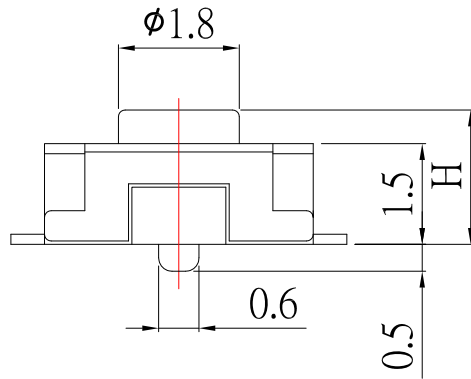
Model No.	H (mm)	Knob Color
TS-A85E	2.0	BLACK
TS-A85AE	2.5	WHITE
TS-A85GE	4.0	WHITE
TS-A85CE	7.0	BLACK

PRODUCT IMAGE



SPECIFICATIONS

Rating	DC 12V 50mA Max.			
Contact Resistance	100mΩ Max.			
Travel	0.15 ± 0.1mm			
Operating Force	2	160 ± 50gf	3	250 ± 50gf
Operating Life (cycles)	100,000			



**CONTACT** 建倚科技股份有限公司  
CONTACT TECHNOLOGY CORP.

TOLERANCE UNLESS OTHERWISE STATED:  
 Up to 5 ±0.2  
 Above 5 ~ 15 ±0.3  
 Above 15 ~ 30 ±0.4  
 Above 30 ~ 50 ±0.5  
 Angle ±0.3°

3RD. ANGEL'S



UNITS MM

DRAWN BY:	DATE	MAT'L	TITLE	SWITCH
Jack Lu	12/11/14		MODLE	TACT SWITCH
CHECKED BY:	DATE	SCALE	DWG NO.	TS-A85xE-x-s126
Jacky Chen	12/11/14	1 : 1	PART NO.	TS-A85xE-x-s126
APPROVED BY:	DATE	SHEET NO.	1 of 1	
Tony Kao	12/11/14			

ITEM NO.	DESCRIPTION	DRAWN	DATE
3	更新尺寸及Travel	Jack	121114
2	删除1.80高度选项	Jack	110714
1	更新Travel	Jack	123113