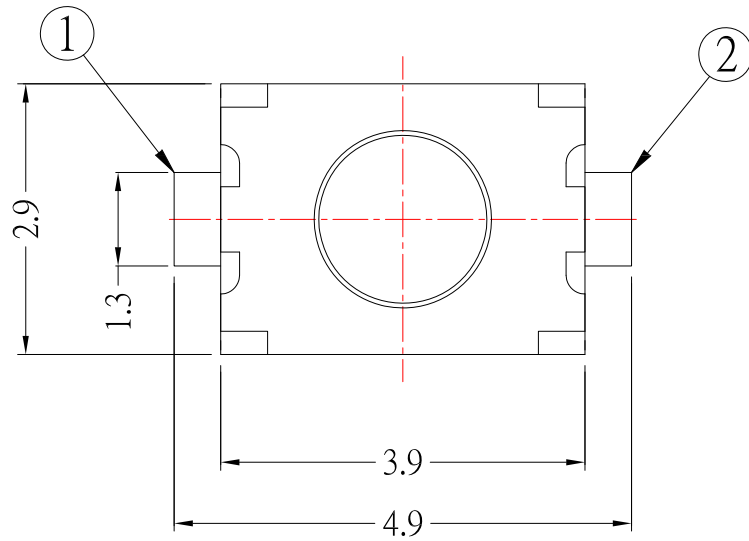
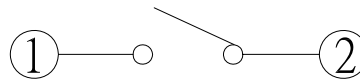




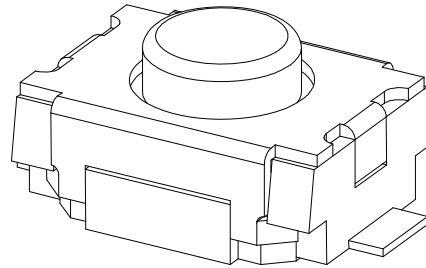
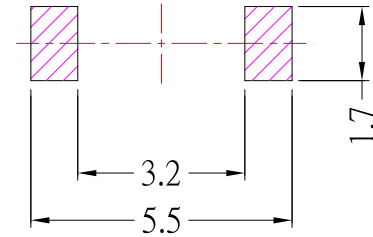
DIMENSIONS



CIRCUIT DIAGRAM



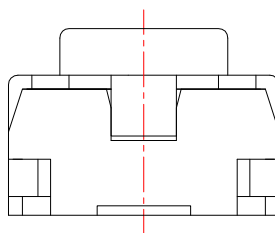
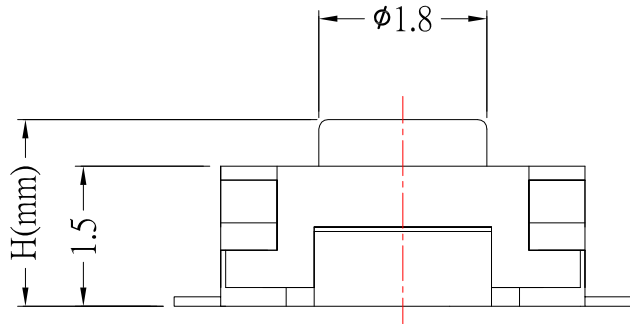
P.C.B. LAYOUT MOUNTING PATTERN



Model No.	H (mm)	Knob Color
TS-A85	2.0	BLACK
TS-A85A	2.5	BLACK
TS-A85C	7.0	BLACK

SPECIFICATIONS

Rating	DC 12V 50mA Max.
Contact Resistance	100mΩ Max.
Travel	0.15 ± 0.1mm
Operating Force	1 130 ± 50gf 2 160 ± 50gf 3 250 ± 50gf 4 320 ± 50gf
Operating Life (cycles)	100,000



6	更新高度選項	Jack	063015
5	新增Operating Force:320±50	Jack	020615
4	更新圖面樣式	Jack	011215
3	更新Travel	Jack	121814
2	刪除1.80的高度	Jack	110714
1	更新Knob Color及更新尺寸1.0改1.3	Jack	110314
ITEM NO.	DESCRIPTION	DRAWN	DATE

CONTACT 建倚科技股份有限公司
CONTACT TECHNOLOGY CORP.

TOLERANCE UNLESS OTHERWISE STATED :
 Up to 5 ±0.2
 Above 5 ~ 15 ±0.3
 Above 15 ~ 30 ±0.4
 Above 30 ~ 50 ±0.5
 Angle ±0.3

3RD. ANGEL'S



UNITS MM

DRAWN BY:	DATE	MAT'L	TITLE	SWITCH
Jack Lu	06/30/15	FINISH	MODLE	TACT SWITCH
CHECKED BY:	DATE	SCALE	DWG NO.	TS-A85x-x-s126
Jacky Chen	06/30/15	SHEET NO.	PART NO.	TS-A85x-x-s126
APPROVED BY:	DATE	SIZE	VER	R6
Tony Kao	06/30/15	A4		