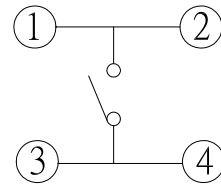
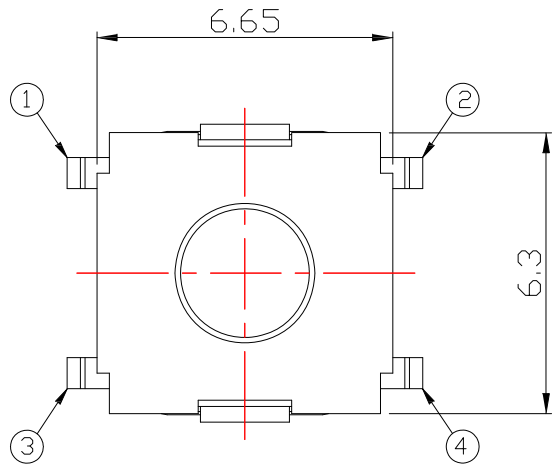
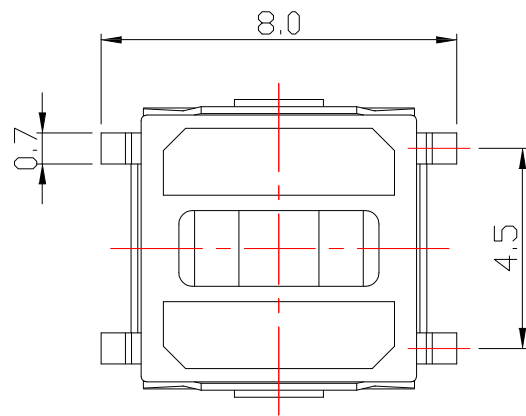


P.C.B MOUNTING PATTERN DIMENSION



CIRCUIT DIAGRAM



TS-A57AxND-x-S126

X	L (mm)
S	2.5
H	3.1
K	3.4
Q	3.8

Operating Force

SPECIFICATIONS

Rating	DC 12V 50mA Max.
Contact Resistance	100mΩ Max.
Travel	0.25 ± 0.1mm
Operating Force	1 130 ± 30gf 2 160 ± 50gf 3 250 ± 50gf 4 360 ± 50gf
Operating Life (cycles)	200,000

▲ Dimension without included cover.

* STEM COLOR : RED

NO.	DESCRIPTION	QTY	MATERIAL	PLATING
E	TERMINAL	4	BRASS	Ag plated
D	CONTACT	1	SUS	Ag plated
C	COVER	1	SUS	
B	CASE	1	PA6T	
A	STEM	1	PA6T	

8	更新材質	Jack	112923
7	新增材質及Operating Life	Jack	031821
6	新增材質表	Jack	080620
5	更新圖面	Jack	101718
4	更新Operating Life	Jack	122017
3	更新Operating Life及新增Operating Force:360 ± 50gf	Jack	121117
2	更新L選項	Jack	031516
1	更新外觀型式	Jack	093015
ITEM NO.	DESCRIPTION	DRAWN	DATE

CONTACT 建倚科技股份有限公司
CONTACT TECHNOLOGY CORP.

TOLERANCE UNLESS OTHERWISE STATED :
Up to 5 ±0.2
Above 5 ~ 15 ±0.3
Above 15 ~ 30 ±0.4
Above 30 ~ 50 ±0.5
Angle ±0.3

3RD. ANGEL'S



UNITS MM

DRAWN BY:	DATE	MAT'L	TITLE	SIZE
Jack Lu	11/29/23		SWITCH	A4
CHECKED BY:	DATE	FINISH	MODLE	VER
Jacky Chen	11/29/23		TACT SWITCH	R8
APPROVED BY:	DATE	SCALE	DWG NO.	
Tony Kao	11/29/23	1 : 1	TS-A57AxND-x-S126	
		SHEET NO.	PART NO.	
		1 of 1	TS-A57AxND-x-S126	