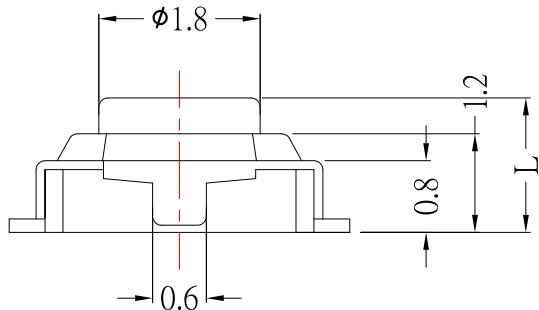
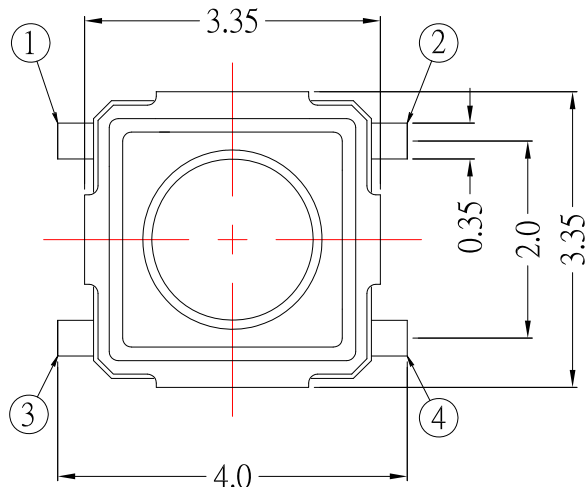
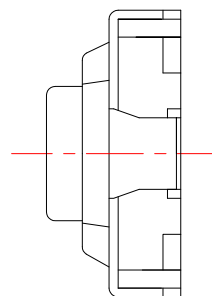
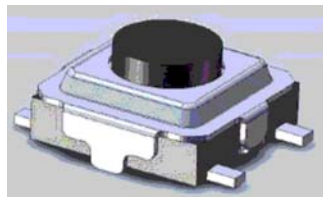


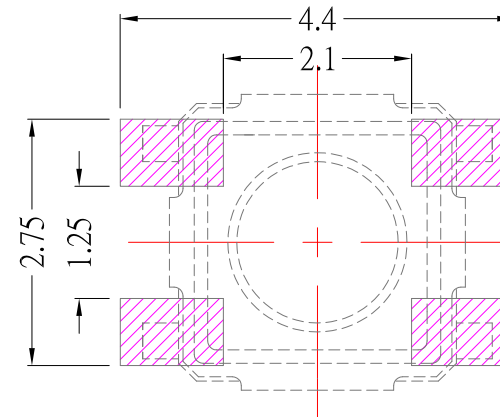
DIMENSIONS



PRODUCT IMAGE

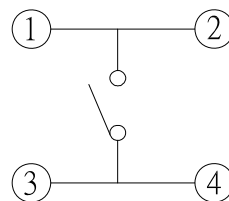


P.C.B MOUNTING MOUNTING PATTERN



NO	MODEL	HEIGHT(L)	COLOR
1	TS-307KF	1.5 mm	WHITE
2	TS-307KFA	2.0 mm	BLACK

CIRCUIT DIAGRAM



SPECIFICATIONS

Rating	DC 12V / 50mA Max.
Circuit	1C-1P
Operating Force	1 130 ± 30gf 2 160 ± 50gf 3 250 ± 50gf
Contact Resistance	100mΩ Max.
Travel	0.20±0.1mm
Operating Life	100,000 cycles Min.

5	更新高度顏色選項	Jack	070915
4	更新為A0版	Jack	080513
3	更新高度選項料號	Jack	042513
2	新增"L"高度選項	Jack	012113
1	※ WB : Knobwhite / Case: Black Color	FrankWu	022112
ITEM NO.	DESCRIPTION	DRAWN	DATE

CONTACT 建倚科技股份有限公司
CONTACT TECHNOLOGY CORP.

TOLERANCE UNLESS OTHERWISE STATED:
 Up to 5 ±0.2
 Above 5 ~ 15 ±0.3
 Above 15 ~ 30 ±0.4
 Above 30 ~ 50 ±0.5
 Angle ±0.3

3RD. ANGEL'S

UNITS MM

DRAWN BY:	DATE	MAT'L	TITLE	SWITCH
Jack Lu	07/09/15	FINISH	MODLE	TACT SWITCH
CHECKED BY:	DATE	SCALE	DWG NO.	TS-307KF-x-S126
Jacky Chen	07/09/15	SHEET NO.	PART NO.	TS-307KF-x-S126
APPROVED BY:	DATE	SIZE	VER	A1
Tony Kao	07/09/15	A4	A1	