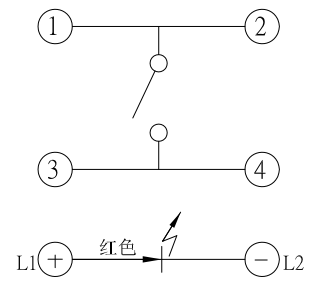
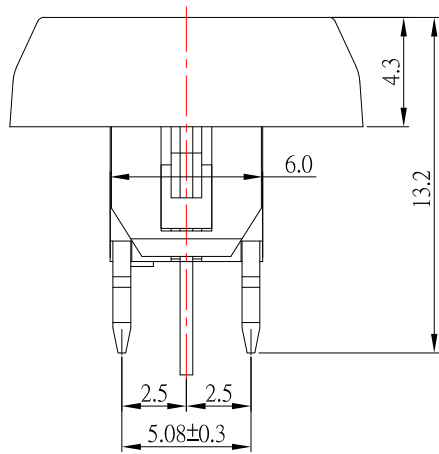
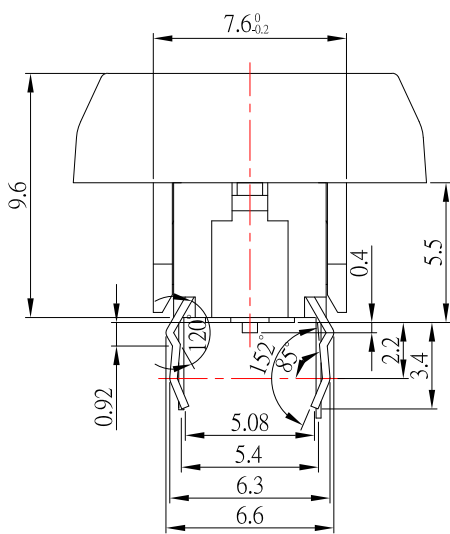


P.C.B LAYOUT



CIRCUIT DIAGRAM

7	LED	1		Red
6	CAP SLEEVE	1	PA66	Black
5	CAP	1	ABS / PC	plated Cr
4	CONTACT	1	PHOSPHOR BRONZE	Ag plated
3	TERMINAL	4	BRASS	Ag plated
2	CASE	1	Nylon+FG	Black
1	KNOB	1	Nylon+FG	White
NO.	DESCRIPTION	QTY	MATERIAL	PLATING

CONTACT 建倚科技股份有限公司
CONTACT TECHNOLOGY CORP.

TOLERANCE UNLESS OTHERWISE STATED :
 Up to 5 ±0.2
 Above 5 ~ 15 ±0.3
 Above 15 ~ 30 ±0.4
 Above 30 ~ 50 ±0.5
 Angle ±0.3

3RD. ANGEL'S



UNITS MM

DRAWN BY:	DATE	MAT'L	TITLE	SWITCH
Jack Lu	04/15/19		MODLE	TACT SWITCH WITH LED 加CAP 帽蓋外殼鍍絡黑 端子墊高負極點紅記號
CHECKED BY:	DATE	FINISH	SCALE	1 : 1
Jacky Chen	04/15/19		DWG NO.	TS-H9A-1-C7-SC7-S313
APPROVED BY:	DATE	SHEET NO.	PART NO.	TS-H9A-1-C7-SC7-S313
Tony Kao	04/15/19	1 of 1		

ITEM NO.	DESCRIPTION	DRAWN	DATE