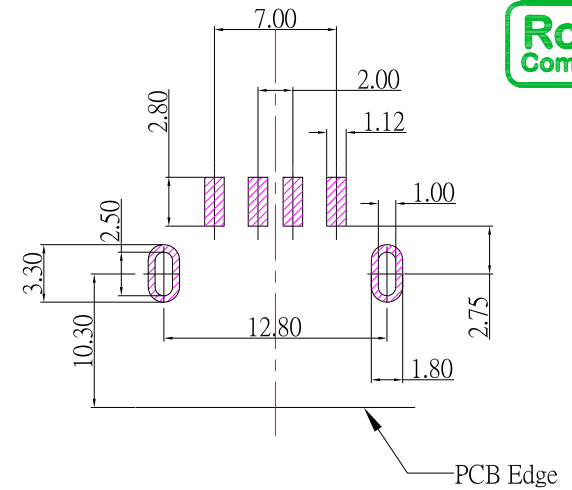
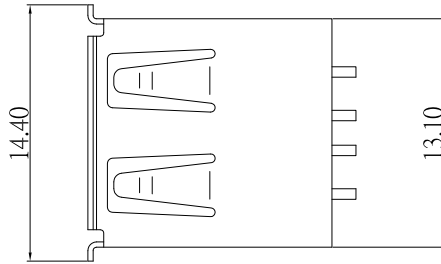


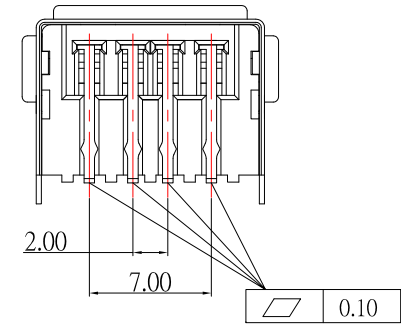
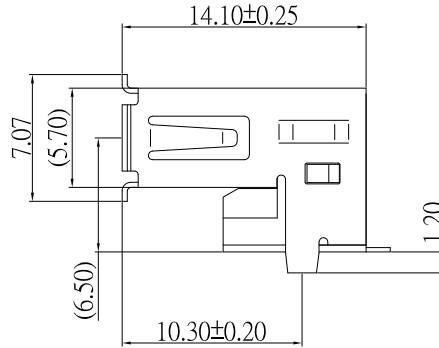
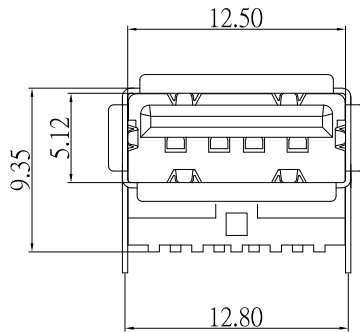


SUA-110M12-x-x-S165

鍍層厚度 :	COLOR :
Blank : 1u"	Black : B
2 : 15u"	White : W
3 : 30u"	



PCB LAYOUT MOUNTING PATTERN

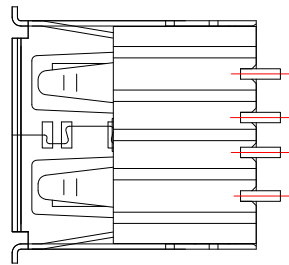


Material:

- 1.Housing: LCP
- 2.Contact: BRASS
- 3.Shell: BRASS

Finish:

- 1.Contact: Plated Gold in Mating Area ;
Tin Plated on Solder Balls ;
Nickel under plated overall
- 2.Shell: Nickel under Plated surface layer



CONTACT 建倚科技股份有限公司
CONTACT TECHNOLOGY CORP.

TOLERANCE UNLESS OTHERWISE STATED :	Up to 5 ±0.2	3RD. ANGEL'S	UNITS	MM
	Above 5 ~ 30 ±0.3			
	Above 30 ~ 50 ±0.4			
	Above 50 ±0.5			
	Angle ±0.3			

DRAWN BY:	DATE	MAT'L	TITLE	CONNECTOR
Jack Lu	05/08/19			
CHECKED BY:	DATE	FINISH	MODLE	USB AF R/A SMT H:9.35mm
Jacky Chen	05/08/19			
APPROVED BY:	DATE	SCALE	DWG NO.	SUA-110M12-x-x-S165
Tony Kao	05/08/19	1 : 1	PART NO.	SUA-110M12-x-x-S165
		SHEET NO.	1 of 1	
				SIZE A4
				VER R

ITEM NO.	DESCRIPTION	DRAWN	DATE