

RECOMMENDED PCB LAYOUT

| Pin No. | DIM A | DIM B | DIM C | DIM D |
|---------|-------|-------|-------|-------|
| 4 | 6.30 | 2.56 | 1.50 | 4.50 |
| 8 | 8.30 | 4.56 | 3.50 | 6.50 |
| 10 | 9.30 | 5.56 | 4.50 | 7.50 |
| 20 | 14.30 | 10.56 | 9.50 | 12.50 |
| 24 | 16.30 | 12.56 | 11.50 | 14.50 |
| 30 | 19.30 | 15.56 | 14.50 | 17.50 |
| 40 | 24.30 | 20.56 | 19.50 | 22.50 |
| 45 | 26.80 | 23.06 | 22.00 | 25.00 |
| 50 | 29.30 | 25.56 | 24.50 | 27.50 |
| 56 | 32.30 | 28.56 | 27.50 | 30.50 |
| 60 | 34.30 | 30.56 | 29.50 | 32.50 |
| 68 | 38.30 | 34.56 | 33.50 | 36.50 |
| 80 | 44.30 | 40.56 | 39.50 | 42.50 |
| 96 | 52.30 | 48.56 | 47.50 | 50.50 |

NOTES:

1. MATERIAL:

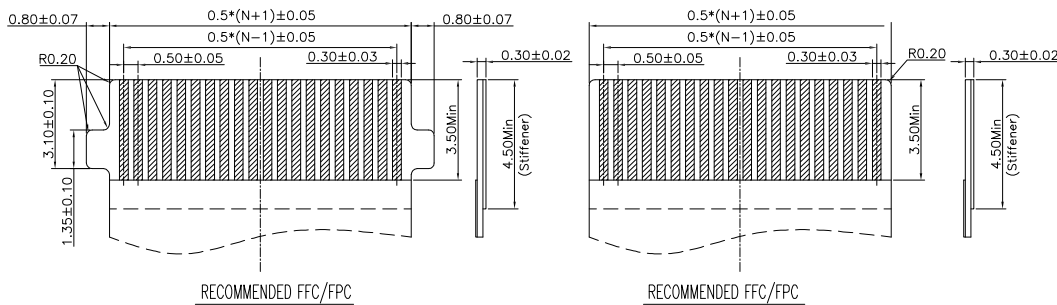
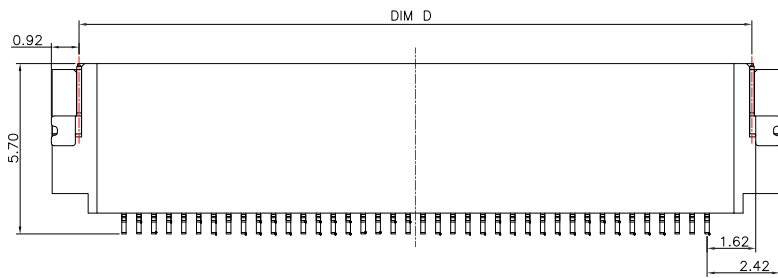
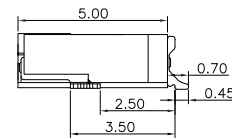
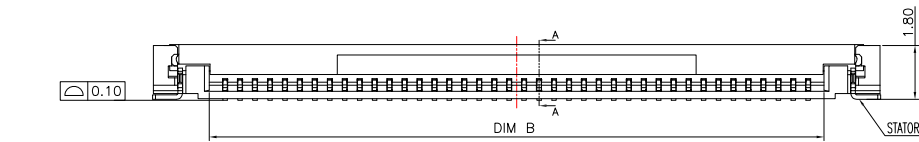
- 1.1 HOUSING: LCP,COLOR:NATURAL
- 1.2 COVER: LCP,UL 94-V0,COLOR:BLACK
- 1.3 CONTACT: PHOSPHOR BRONZE
- 1.4 STATOR: PHOSPHOR BRONZE

2. PLATING:

- 2.1 CONTACT: GOLD OR TIN PLATED ON NICKEL OVERALL
- 2.2 STATOR: TIN PLATED ON NICKEL OVERALL

3. RATING:

- 3.1 CURRENT RATING: 0.5A AC/DC
- 3.2 VOLTAGE RATING: 50V AC/DC
- 3.3 TEMPERATURE RANGE: -40°C~+85°C



CONTACT 建倚科技股份有限公司
CONTACT TECHNOLOGY CORP.

TOLERANCE UNLESS OTHERWISE STATED:

Up to 5 ±0.2
Above 5 ~ 15 ±0.3
Above 15 ~ 30 ±0.4
Above 30 ~ 50 ±0.5
Angle ±0.3°

3RD. ANGEL'S



UNITS MM

DRAWN BY: Jack Lu
CHECKED BY: Jacky Chen
APPROVED BY: Tony Kao

DATE: 02/14/23
DATE: 02/14/23
DATE: 02/14/23

MAT'L
FINISH
SCALE: 1 : 1
SHEET NO. 1 of 1

TITLE: CONNECTOR
MODLE: 0.5mm FPC H:1.8mm 前掀蓋 帶蝴蝶扣
DWG NO. FPC05L-18xx-B2-S304
PART NO. FPC05L-18xx-B2-S304

| ITEM NO. | DESCRIPTION | DRAWN | DATE |
|----------|-----------------|-------|--------|
| 3 | 更新樣式和PCB LAYOUT | Jack | 021423 |
| 2 | 新增LOGO標示 | Jack | 111621 |
| 1 | 更新PIN選項 | Jack | 040919 |