

P.C.B LAYOUT MOUNTING PATTERN

NOTES:

1.MATERIAL:

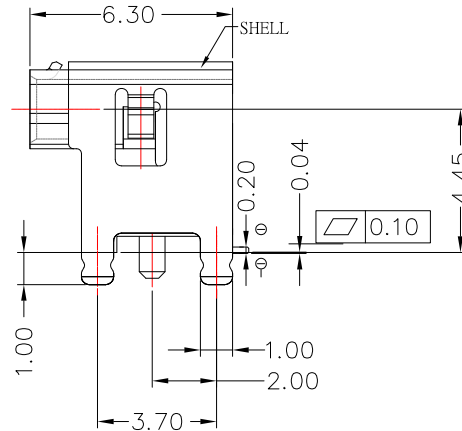
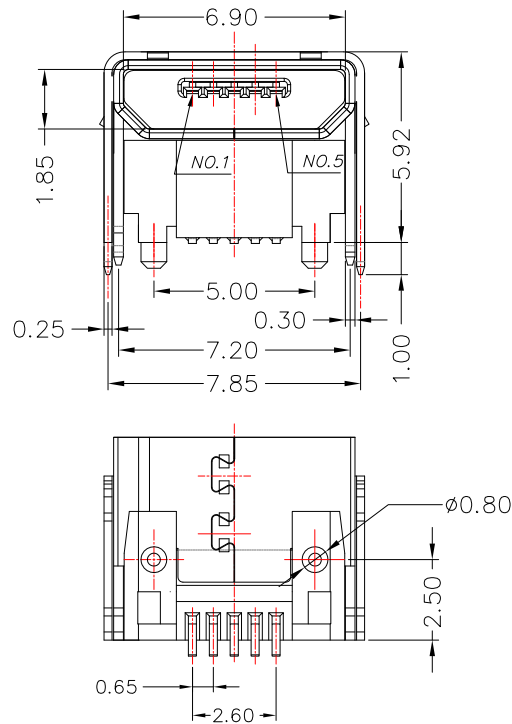
- 1.1 HOUSING: LCP
- 1.2 CONTACT: COPPER ALLOY
- 1.3 SHELL: STAINLESS STEEL
- 1.4 COVER: STAINLESS STEEL

2.Finish:

- 2.1 Contact: Plated Gold in Mating Area ;
TIN Plated on Solder Balls ;
Nickel under plated overall
- 2.2 Shell: Nickel under Plated surface layer

3.SPECIFICATION:

- 3.1 RATING: 1.0 A , 30V
- 3.2 DIELECTRIC WITHSSTANDING VOLTAGE:500 V AC
- 3.3 CONTACT RESISTANCE: 50 mΩ MAX.
- 3.4 INSULATION RESISTANCE: 100 MΩ MIN.
- 3.5 TOTAL MATING FORCE: 35N MAX.
- 3.6 TOTAL UNMATING FORCE: 10N MIN.
- 3.7 LIFE: 10,000 CYCLES



2	更新樣式	Jack	032919
1	更新底部樣式	Jack	101818
ITEM NO.	DESCRIPTION	DRAWN	DATE

CONTACT 建倚科技股份有限公司
CONTACT TECHNOLOGY CORP.

TOLERANCE UNLESS OTHERWISE STATED :

Up to 5 ±0.2
Above 5 ~ 15 ±0.3
Above 15 ~ 30 ±0.4
Above 30 ~ 50 ±0.5
Angle ±0.3°

3RD. ANGEL'S



UNITS MM

DRAWN BY:	DATE	MAT'L	TITLE	CONNECTOR
Jack Lu	03/29/19			
CHECKED BY:	DATE	FINISH	MODLE	MICRO USB 5BF 有柱墊高4.45四脚插板 無卷邊 後腳間距7.50
Jacky Chen	03/29/19			
APPROVED BY:	DATE	SCALE	DWG NO.	MRUSB-5B-ED19NI-S235
Tony Kao	03/29/19	1 : 1	PART NO.	MRUSB-5B-ED19NI-S235
		SHEET NO.	1 of 1	SIZE A4 VER R2