



# SUA-110E21x-x-S316

SHELL :	COLOR :
Blank : Brass	Black: B
I : SPCC	White : W

## SPECIFICATIONS

### Electrical:

- Contact Resistance: 30 mΩ Max
- Dielectric Withstanding Voltage: 500 V AC
- Insulation Resistance: 1,000 MΩ Min

### Mechanical:

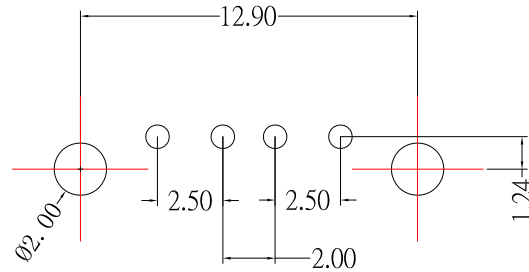
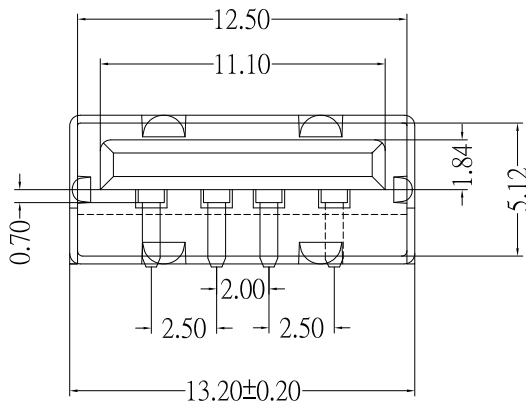
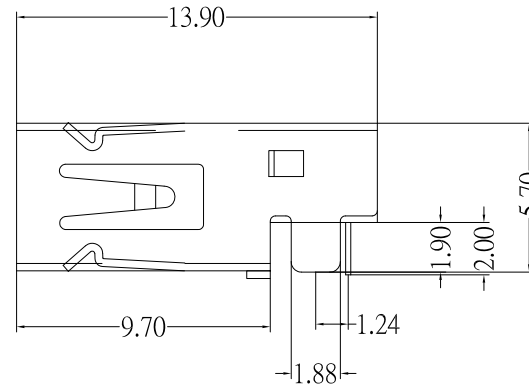
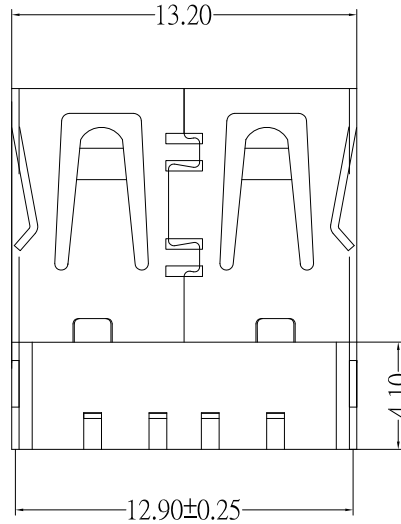
- Connector Mate and Unmate Force
  - Mate force: 3.57Kgf(Max)
  - Unmate force: 1.02Kgf (Min)

### Material:

- Housing: PBT
- Contact: Brass
- Shell: Brass / Spcc

### Finish:

- Contact: Plated Gold in Mating Area ;  
Tin Plated on Solder Balls  
Nickel under plated overall
- Shell: Nickel under Plated surface layer



P.C.B LAYOUT MOUNTING PATTERN

**CONTACT** 建倚科技股份有限公司  
CONTACT TECHNOLOGY CORP.

TOLERANCE UNLESS OTHERWISE STATED :	Up to 5 ±0.2	Above 5 ~ 15 ±0.3	Above 15 ~ 30 ±0.4	Above 30 ~ 50 ±0.5	Angle ±0.3°
	3RD. ANGEL'S	UNITS	MM		

DRAWN BY:	DATE	MAT'L	TITLE	CONNECTOR
Jack Lu	07/23/18		MODLE	USB AF 沉板 板上高 H3.8MM DIP 腳
CHECKED BY:	DATE	FINISH	SCALE	1 : 1
Jacky Chen	07/23/18		DWG NO.	SUA-110E21x-x-S316
APPROVED BY:	DATE	SHEET NO.	PART NO.	SUA-110E21x-x-S316
Tony Kao	07/23/18	1 of 1		

ITEM NO.	DESCRIPTION	DRAWN	DATE