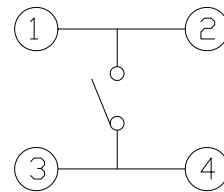
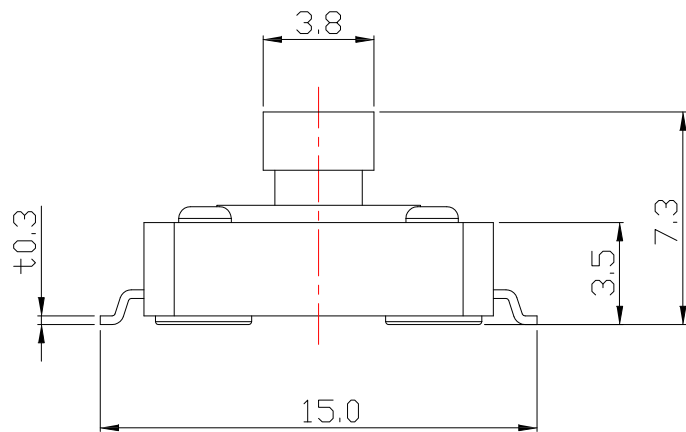


PCB LAYOUT MOUNTING PATTERN



CIRCUIT DIAGRAM

SPECIFICATIONS

Rating	DC 12V 50mA		
Contact Resistance	100mΩ Max.		
Travel	0.3 ± 0.1mm		
Operating Force	2 160±50gf	3	250±50gf
Operating Life(cycles)	100,000		

CONTACT 建倚科技股份有限公司
CONTACT TECHNOLOGY CORP.

TOLERANCE UNLESS OTHERWISE STATED:
 Up to 5 ±0.2
 Above 5 ~ 15 ±0.3
 Above 15 ~ 30 ±0.4
 Above 30 ~ 50 ±0.5
 Angle ±0.3

3RD. ANGEL'S



UNITS

MM

DRAWN BY:	DATE	MAT'L	TITLE	SWITCH
Jack Lu	01/06/16	FINISH	MODLE	TACT SWITCH
CHECKED BY:	DATE	SCALE	DWG NO.	TS-A03ST-x-S126
Jacky Chen	01/06/16	1 : 1	PART NO.	TS-A03ST-x-S126
APPROVED BY:	DATE	SHEET NO.	1 of 1	
Tony Kao	01/06/16			

ITEM NO.	DESCRIPTION	DRAWN	DATE