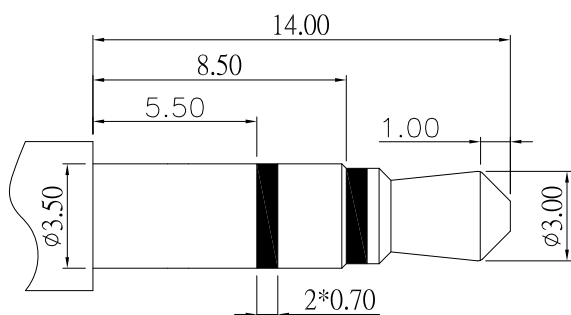
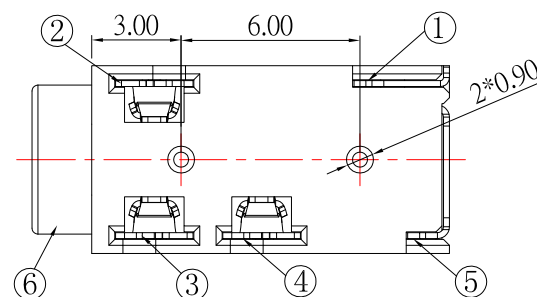


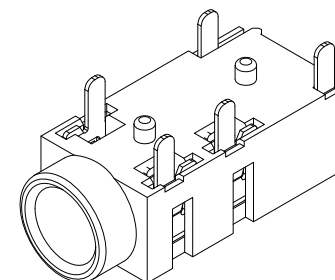
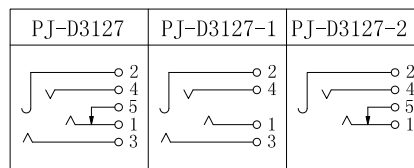
P.C.B LAYOUT
MOUNTING PATTERN



Ø3.50mm 3 POLE PLUG



SCHEMATIC



SPECIFICATION

- Rating : DC 30V 0.5A ;
- Contact resistance : ≤ 30mΩ ;
- Insulation resistance : ≥ 100MΩ ;
- Withstand voltage : 500VAC ;
- Insertion and extraction force : 3-20N;
- life test : 5,000 cycles °

6	HOUSING	1	PBT	
5	CONTACT FOOT	1	PHOSPHOR BRONZE	Au/Ag-Plating
4	CONTACT FOOT	1	PHOSPHOR BRONZE	Au/Ag-Plating
3	CONTACT FOOT	1	PHOSPHOR BRONZE	Au/Ag-Plating
2	CONTACT FOOT	1	PHOSPHOR BRONZE	Au/Ag-Plating
1	SPRING PIECE	1	PHOSPHOR BRONZE	Au/Ag-Plating
No	PART NAME	QTY	MATERIAL	REMARK

CONTACT 建倚科技股份有限公司
CONTACT TECHNOLOGY CORP.

TOLERANCE UNLESS OTHERWISE STATED:
 Up to 5 ±0.2
 Above 5 ~ 15 ±0.3
 Above 15 ~ 30 ±0.4
 Above 30 ~ 50 ±0.5
 Angle ±0.3

3RD. ANGEL'S

UNITS MM

DRAWN BY:	DATE	MAT'L	TITLE	JACK
Jack Lu	09/01/17		MODLE	PHONE JACK
CHECKED BY:	DATE	SCALE	DWG NO.	PJ-D3127-x-S124
Jacky Chen	09/01/17	1 : 1	PART NO.	PJ-D3127-x-S124
APPROVED BY:	DATE	SHEET NO.	1 of 1	
Tony Kao	09/01/17			

1	更新為A0版	Jack	090117
ITEM NO.	DESCRIPTION	DRAWN	DATE