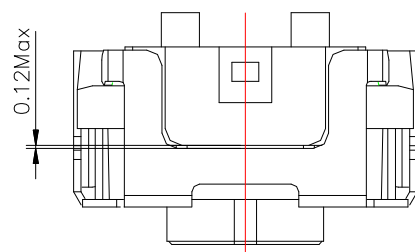
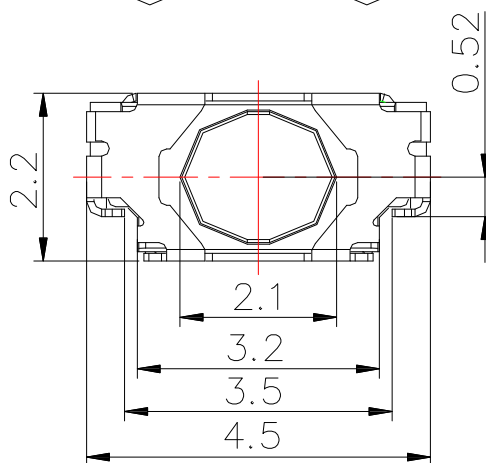


P.C.B LAYOUT



CIRCUIT DIAGRAM



SPECIFICATIONS

Rating	DC 12V 50mA
Contact Resistance	500mΩ Max.
Insulation Resistance	100MΩ
Dielectric Strength	AC 100V 1 minute
Operating Force	220 ± 70gf
Operating Life (cycles)	600,000

CONTACT 建倚科技股份有限公司
CONTACT TECHNOLOGY CORP.

TOLERANCE UNLESS OTHERWISE STATED:
 Up to 5 ±0.2
 Above 5 ~ 15 ±0.3
 Above 15 ~ 30 ±0.4
 Above 30 ~ 50 ±0.5
 Angle ±0.3

3RD. ANGEL'S

UNITS MM

DRAWN BY:	DATE	MAT'L	TITLE	SWITCH
Jack Lu	05/23/18		MODLE	TACT SWITCH
CHECKED BY:	DATE	SCALE	DWG NO.	TS-A35C-3-S138
Jacky Chen	05/23/18	1 : 1	PART NO.	TS-A35C-3-S138
APPROVED BY:	DATE	SHEET NO.		
Tony Kao	05/23/18	1 of 1		

ITEM NO.	DESCRIPTION	DRAWN	DATE