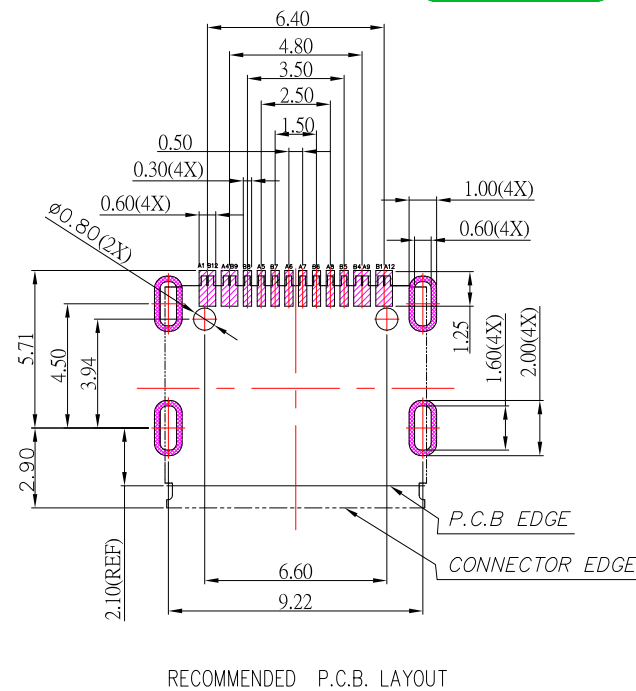




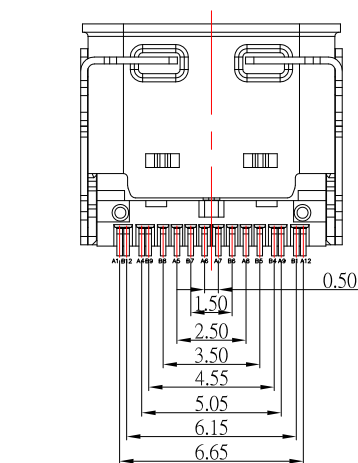
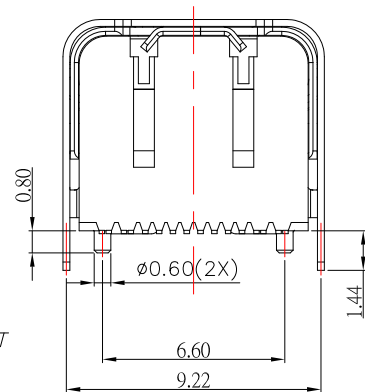
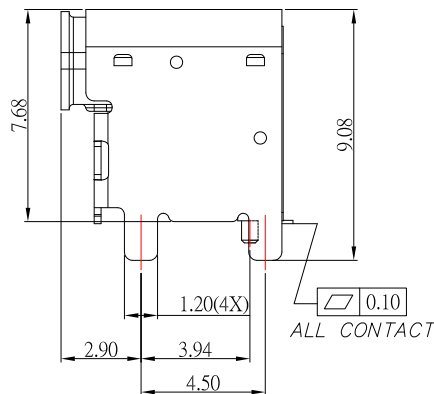
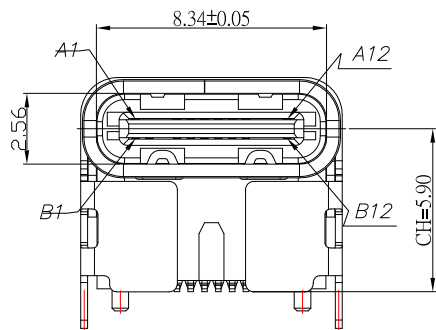
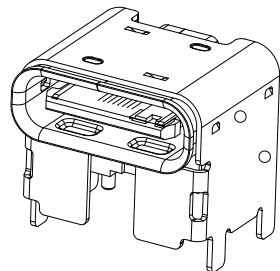
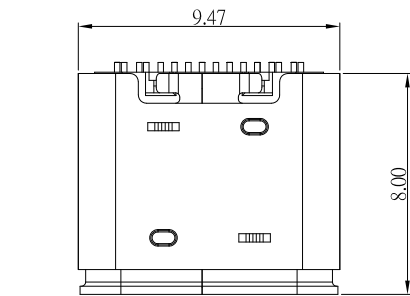
# SBC-160S2H-20x-S235

鍍層厚度：

Blank	: 1u"
2	: 15u"
3	: 30u"



RECOMMENDED P.C.B. LAYOUT



A1	GND	B12	GND
A4	VBUS	B9	VBUS
A5	CC1	B8	SBU2
A6	DP1	B7	DN2
A7	DN1	B6	DP2
A8	SBU1	B5	CC2
A9	VBUS	B4	VBUS
A12	GND	B1	GND
PIN	SIGNAL NAME	PIN	SIGNAL NAME

## SPECIFICATIONS

### Electrical:

- Rating: 5.0 A
- VOLTAGE: 5V
- Dielectric Withstand Voltage: 100V AC
- Contact Resistance: 40 mΩ Max
- Insulation Resistance: 100 MΩ Min

### Mechanical:

- Connector Mate and Unmate Force
  - Mate force: 5~20 N
  - Unmate force: 8~20 N

### Material:

- Housing: LCP
- Contact: Copper Alloy
- Shell: SUS

### Finish:

- Contact: Plated Gold in Mating Area ;  
Gold Plated on Solder Balls ;  
Nickel under plated overall
- Shell: Nickel under Plated surface layer

6	新增尺寸	Jack	011420
5	新增尺寸	Jack	082018
4	更新樣式	Jack	031418
3	更新圖面	Jack	030918
2	更新料號	Jack	121917
1	更新為A0版	Jack	121317
ITEM NO.	DESCRIPTION	DRAWN	DATE

**CONTACT** 建倚科技股份有限公司  
**CONTACT TECHNOLOGY CORP.**

TOLERANCE UNLESS OTHERWISE STATED:  
 Up to 5 ±0.2  
 Above 5 ~ 15 ±0.3  
 Above 15 ~ 30 ±0.4  
 Above 30 ~ 50 ±0.5  
 Angle ±0.3°

3RD. ANGEL'S

UNITS MM

DRAWN BY:	DATE	MAT'L	TITLE	CONNECTOR
Jack Lu	01/14/20			
CHECKED BY:	DATE	FINISH	MODLE	USB 3.1 TYPE C 單排SMT墊高5.9 L 8.0mm 高導電銅
Jacky Chen	01/14/20			
APPROVED BY:	DATE	SCALE	DWG NO.	SBC-160S2H-20x-S235
Tony Kao	01/14/20	1 : 1	PART NO.	SBC-160S2H-20x-S235
		SHEET NO.	1 of 1	SIZE A4
				VER A5