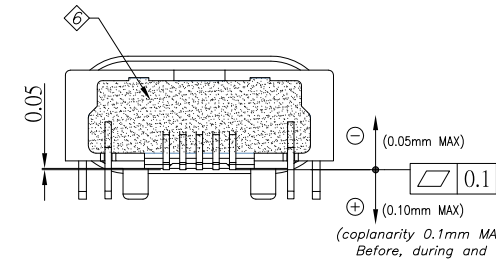
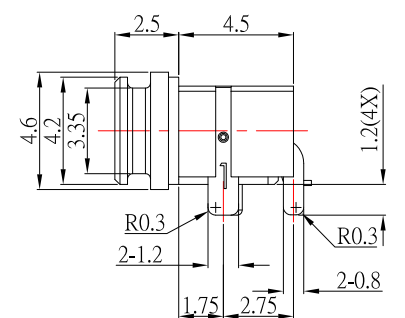
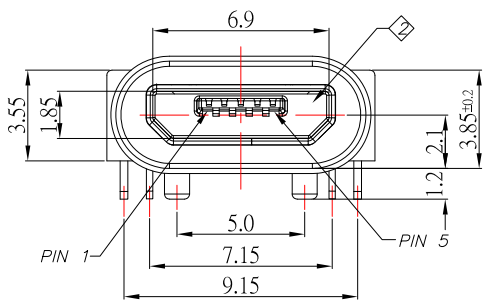
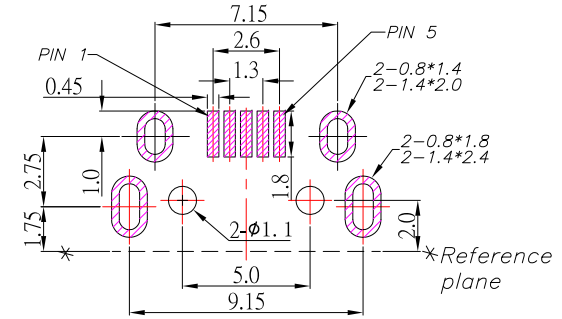
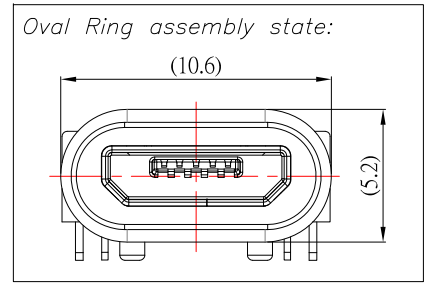
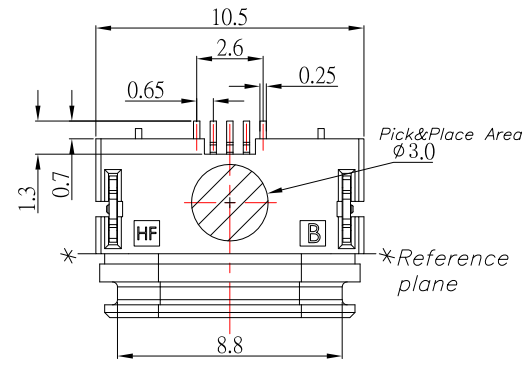
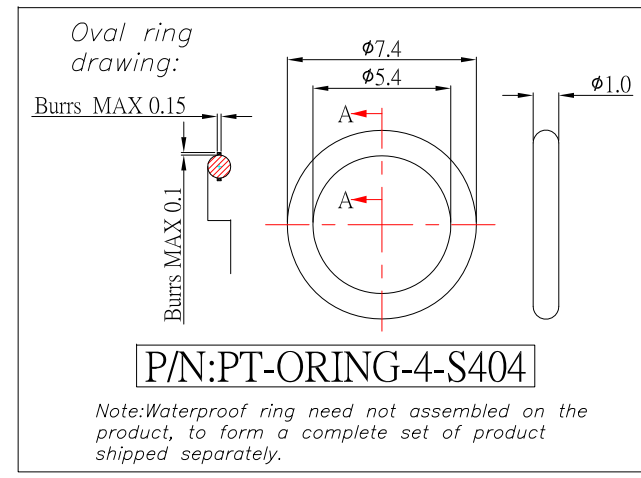


IPX7



P.C.B LAYOUT MOUNTING PATTERN
TOP VIEW

- NOTES:
- MATERIAL:
- 1.1 HOUSING: PA9T
 - 1.2 INSERT MOLDING: LCP
 - 1.3 CONTACT: COPPER ALLOY
 - 1.4 SHELL: SUS
 - 1.5 TERMINAL: BRASS
 - 1.6 WATERPROOF RING: SILICONE RUBBER
- FINISH:
- 2.1 CONTACT: PLATED GOLD IN MATING AREA ;
TIN PLATED ON SOLDER BALLS ;
NICKEL UNDER PLATED OVERALL
 - 2.2 SHELL: NICKEL UNDER PLATED SURFACE LAYER
 - 2.3 TERMINAL: TIN PLATED
- 3.SPECIFICATION:
- 3.1 RATING: 1.8A(PIN1&5) , 0.5A(PIN2&3&4)
 - 3.2 DIELECTRIC WITHSSTANDING VOLTAGE: 300 VAC
 - 3.3 CONTACT RESISTANCE: 30 mΩ MAX.
 - 3.4 INSULATION RESISTANCE: 100 MΩ MIN.



| | | | |
|---------|-------------|-------|--------|
| 5 | 新增ORING料號 | Jack | 031519 |
| 4 | 更新MODLE | Jack | 030719 |
| 3 | 更新料號 | Jack | 030619 |
| 2 | 更新圖面 | Jack | 102318 |
| 1 | 更新為A0版 | Jack | 072018 |
| ITEM NO | DESCRIPTION | DRAWN | DATE |

CONTACT 建倚科技股份有限公司
CONTACT TECHNOLOGY CORP.

TOLERANCE UNLESS OTHERWISE STATED:

| | |
|---------------|-------|
| Up to 5 | ±0.2 |
| Above 5 ~ 15 | ±0.3 |
| Above 15 ~ 30 | ±0.4 |
| Above 30 ~ 50 | ±0.5 |
| Angle | ±0.3° |

3RD. ANGEL'S

UNITS MM

| | | | | |
|--------------|----------|--------|-----------|--|
| DRAWN BY: | DATE | MAT'L | TITLE | CONNECTOR |
| Jack Lu | 03/15/19 | | MODLE | MICRO USB 5PF B TYPE 防水型 IPX7 後檔板4.6mm |
| CHECKED BY: | DATE | FINISH | DWG NO. | MRUSB-5B-WP7-S404 |
| Jacky Chen | 03/15/19 | | SHEET NO. | 1 of 1 |
| APPROVED BY: | DATE | SCALE | PART NO. | MRUSB-5B-WP7-S404 |
| Tony Kao | 03/15/19 | 1 : 1 | | |