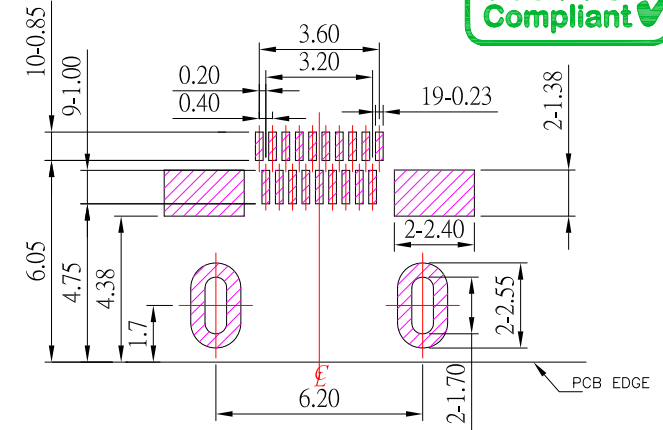
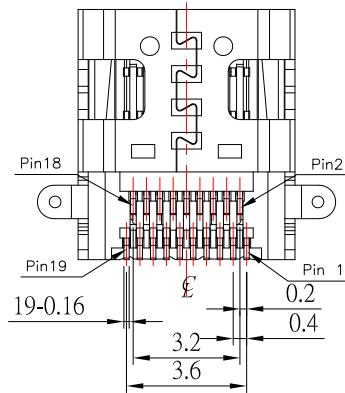
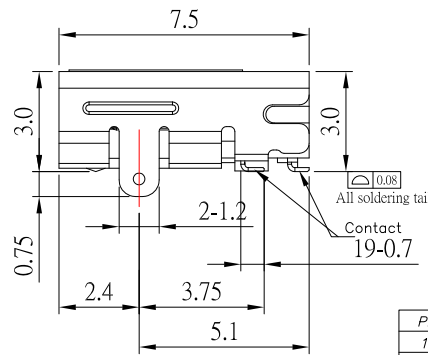
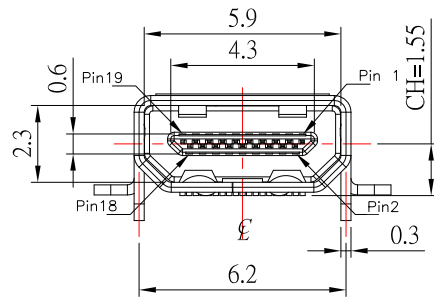


Receptacle and Plug Mated Condition



RECOMMENDED PCB LAYOUT (TOP VIEW)



HDMI-D-19PSDAx-S165

鍍層厚度:

- Blank : 1u"
- 2 : 15u"
- 3 : 30u"

PIN	Signal Assignment
1	Hot Plug Detect
2	Utility
3	TMDS Data2+
4	TMDS Data2 Shield
5	TMDS Data2-
6	TMDS Data1+
7	TMDS Data1 Shield
8	TMDS Data1-
9	TMDS Data0+
10	TMDS Data0 Shield
11	TMDS Data0-
12	TMDS Clock+
13	TMDS Clock Shield
14	TMDS Clock-
15	CEC
16	DDC/CEC Ground
17	SCL
18	SDA
19	+5V Power

NOTE :

- 1.SPECIFICATION:
 - 1.1 CURRENT RATING: 0.3 A
 - 1.2 CONTACT RESISTANCE: 30mΩ Max.
 - 1.3 INSULATION RESISTANCE: 100MΩ Min.
 - 1.4 DIELECTRIC WITHSTANDING VOLTAGE: AC 250V (for 1 minute)
 - 1.5 OPERATION TEMPERATURE RANGE: -40°C~85°C
- 2.Material:
 - 2.1 Housing: LCP
 - 2.2 Contact: Phosphor Bronze
 - 2.3 Shell: Phosphor Bronze
3. Finish:
 - 3.1 Contact: Plated Gold in Mating Area ;
Gold Plated on Solder Balls ;
Nickel under plated overall
 - 3.2 Shell: Nickel under Plated surface layer

ITEM NO.	DESCRIPTION	DRAWN	DATE
4	更新外觀鍍層	Jack	072720
3	更新料號	Jack	071620
2	更新圖面	Jack	071520
1	更新pin位置	Jack	111113

CONTACT 建倚科技股份有限公司
CONTACT TECHNOLOGY CORP.

TOLERANCE UNLESS OTHERWISE STATED	3RD. ANGEL'S	UNITS	MM
Up to 5	±0.2		
Above 5 ~ 15	±0.3		
Above 15 ~ 30	±0.4		
Above 30 ~ 50	±0.5		
Angle	±0.3°		

DRAWN BY:	DATE	MAT'L	TITLE	CONNECTOR
Jack Lu	07/27/20			
CHECKED BY:	DATE	FINISH	MODLE	HDMI D TYPE 外殼 前插後貼
Jacky Chen	07/27/20			
APPROVED BY:	DATE	SCALE	DWG NO.	HDMI-D-19PSDAx-S165
Tony Kao	07/27/20	1 : 1		
		SHEET NO.	PART NO.	HDMI-D-19PSDAx-S165
		1 of 1		
				SIZE A4
				VER R4