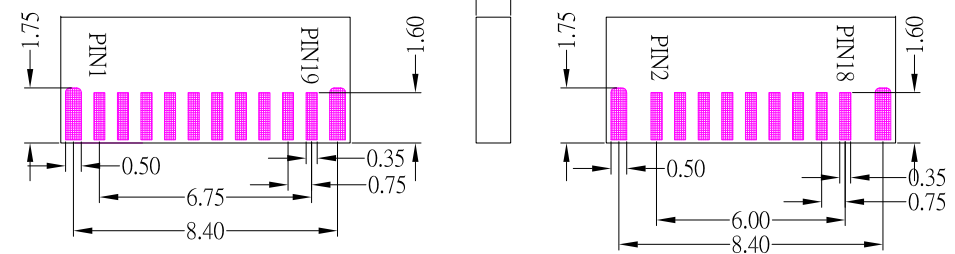
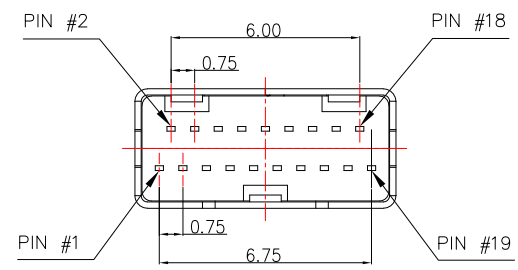




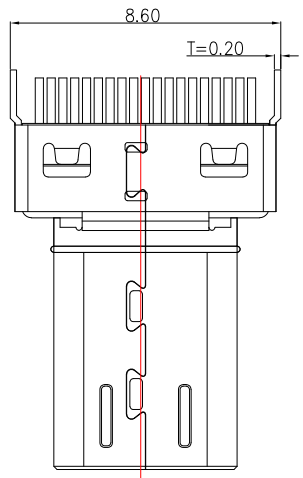
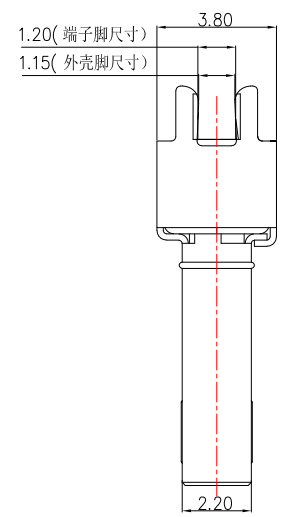
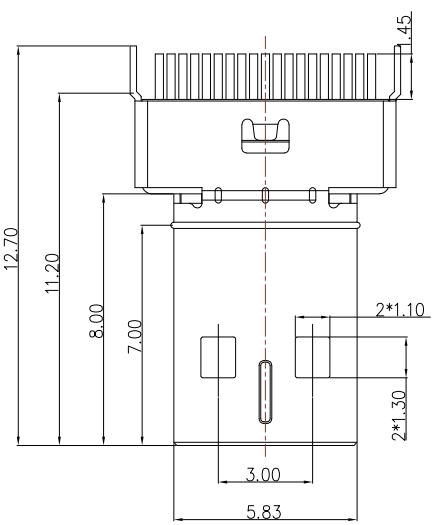
HDMI-D-19PL3xx-S165

外殼材質：
Blank : Brass
I : Spcc

外殼電鍍材質：
Blank : Nickel
G : Au

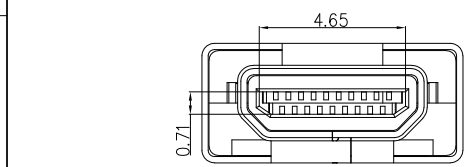


PCB LAYOUT



- SPECIFICATIONS :
- 1.RATING: 40V , 0.3A
 2. CONTACT RESISTANCE : 40 mΩ MAX
 3. INSULATION RESISTANCE : 10 MΩ MIN
 4. DIELECTNIC STRENGTH : 150V AC / 1 minute
 5. DURABILITY : 5,000 cycles
 - 6.TEMPERATURE RANGE : -25°C ~ +85°C

- Material:
- 1.Housing: LCP
 - 2.Contact: Phosphor Bronze
 - 3.Shell: Brass / Spcc
- Finish:
- 1.Contact: Plated Gold in Mating Area ;
Tin Plated on Solder Balls ;
Nickel under plated overall



ITEM NO.	DESCRIPTION	DRAWN	DATE
4	更新樣式	Jack	070424
3	更新圖面	Jack	070324
2	更新PCB LAYOUT 中PIN編號位置	Jack	051024
1	新增PCB LAYOUT 尺寸	Jack	092220

CONTACT 建倚科技股份有限公司
CONTACT TECHNOLOGY CORP.

TOLERANCE UNLESS OTHERWISE STATED :

Up to 5	±0.2	3RD. ANGEL'S	UNITS	MM
Above 5 ~ 15	±0.3			
Above 15 ~ 30	±0.4			
Above 30 ~ 50	±0.5			

Angle ±0.3°

DRAWN BY:	DATE	MAT'L	TITLE	CONNECTOR
Jack Lu	07/04/24	FINISH	MODLE	HDMI D TYPE 公頭夾板式 板厚:1.2mm
CHECKED BY:	DATE	SCALE	DWG NO.	HDMI-D-19PL3xx-S165
Jacky Chen	07/04/24	1 : 1	PART NO.	HDMI-D-19PL3xx-S165
APPROVED BY:	DATE	SHEET NO.	1 of 1	
Tony Kao	07/04/24			