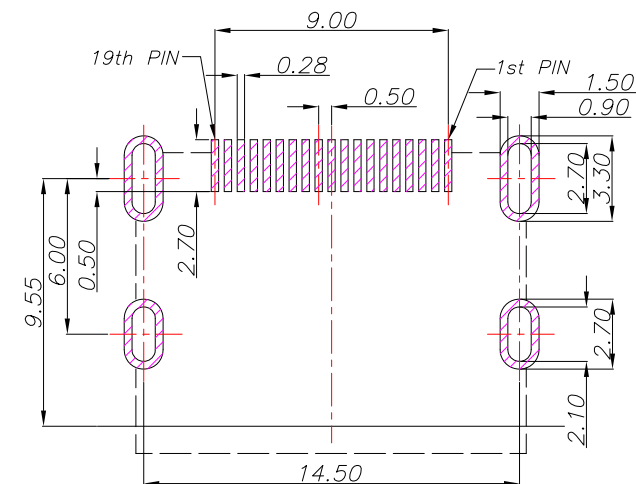


SECTION A-A



RECOMMENDED P.C.B. LAYOUT

HDMI-19P-SNDxx-S297

SHELL MATERIAL:

Blank	BRASS
I	SPCC

SHELL PLATED:

Blank	NI
G	GOLD

NOTE:

1.MATERIAL:

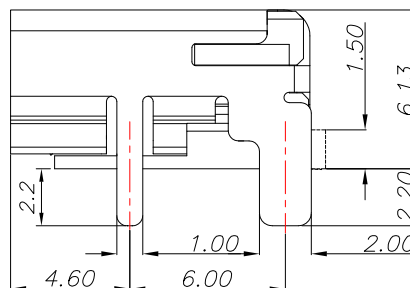
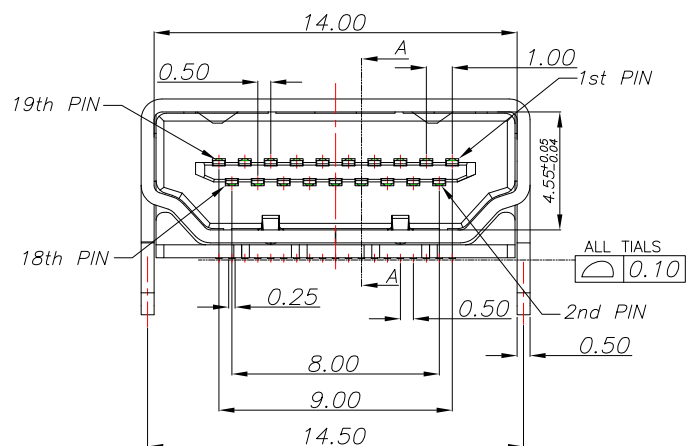
- 1.1 HOUSING: LCP,UL94V-0, BLACK
- 1.2 CONTACT: BRASS
- 1.3 SHEEL: BRASS / SPCC

2.PLATING :

- 2.1 CONTACT: PLATED GOLD IN MATING AREA ;  
TIN PLATED ON SOLDER BALLS ;  
NICKEL UNDER PLATED OVERALL
- 2.2 SHELL: NICKEL UNDER PLATED SURFACE LAYER  
OR GOLD UNDER PLATED SURFACE LAYER

3.MECHANICAL:

- 4.1 INSERTION FORCE: 4.5 Kgf MAX
- 4.2 WITHDRAWAL FORCE: 1.0 ~ 4.0 Kgf



**CONTACT** 建倚科技股份有限公司  
CONTACT TECHNOLOGY CORP.

TOLERANCE UNLESS OTHERWISE STATED:

Up to 5	±0.2
Above 5 ~ 15	±0.3
Above 15 ~ 30	±0.4
Above 30 ~ 50	±0.5
Angle	±0.3

3RD. ANGEL'S



UNITS

MM

DRAWN BY:	DATE
Jack Lu	09/18/15
CHECKED BY:	DATE
Jacky Chen	09/18/15
APPROVED BY:	DATE
Tony Kao	09/18/15

MAT'L		TITLE	CONNECTOR
FINISH		MODLE	HDMI A/F 無耳無柱贴片
SCALE	1 : 1	DWG NO.	HDMI-19P-SNDxx-S297
SHEET NO.	1 of 1	PART NO.	HDMI-19P-SNDxx-S297
		SIZE	A4
		VER	R

ITEM NO.	DESCRIPTION	DRAWN	DATE