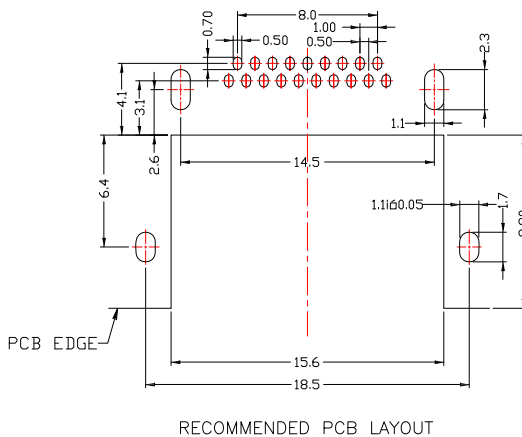
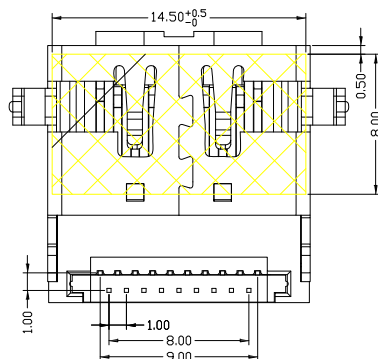


REFERENCE PANEL CUT OUT DIMENSION



Material:

1.Housing: High Temperature Thermal Plastics,UL 94V-0

2.Contact: Phosphor Bronze

3.Shell: Phosphor Bronze

Finish:

1.Contact: Plated Gold in Mating Area ;

Gold Plated on Solder Balls ;

Nickel under plated overall

2.Shell: Nickel under Plated surface layer



建倚科技股份有限公司  
CONTACT TECHNOLOGY CORP.

TOLERANCE UNLESS OTHERWISE STATED :  
Up to 5 ±0.2  
Above 5 ~ 15 ±0.3  
Above 15 ~ 30 ±0.4  
Above 30 ~ 50 ±0.5  
Angle ±0.3°

3RD. ANGEL'S



UNITS

MM

DRAWN BY: Jack Lu  
CHECKED BY: Jacky Chen  
APPROVED BY: Tony Kao

DATE: 12/01/15  
DATE: 12/01/15  
DATE: 12/01/15

MAT'L  
FINISH  
SCALE: 1 : 1  
SHEET NO. 1 of 1

TITLE  
MODLE  
DWG NO.  
PART NO.

CONNECTOR  
HDMI A/F 反向沉板,DIP TYPE  
HDMI-19P-D03-S306  
HDMI-19P-D03-S306

SIZE: A4  
VER: R

ITEM NO.	DESCRIPTION	DRAWN	DATE