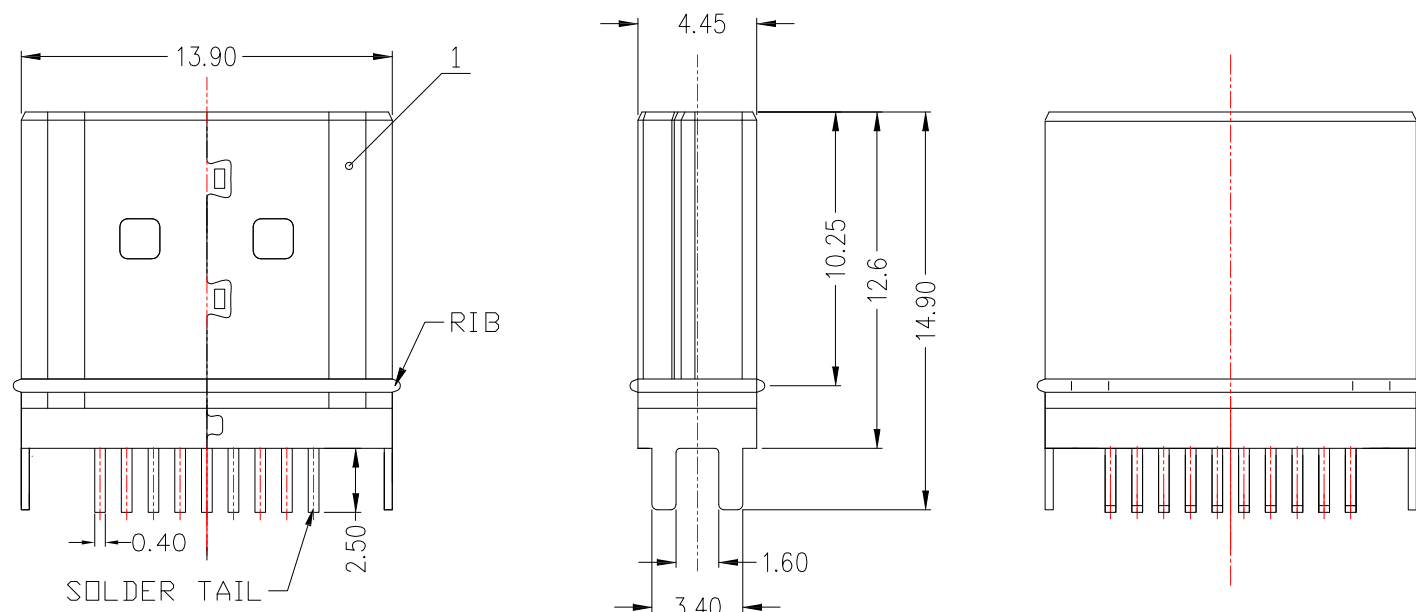
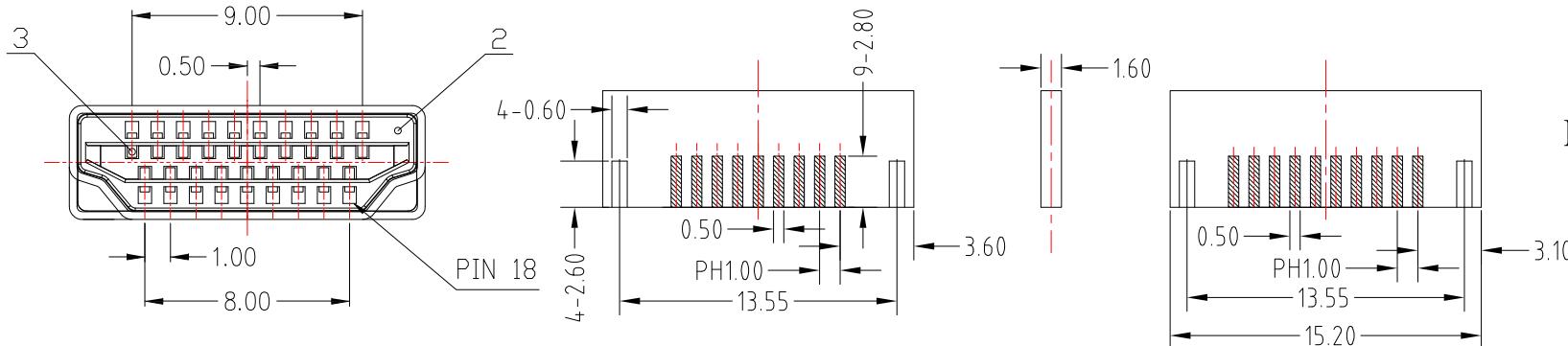




# HDMI-19APL2xx-S165

|       |               |         |             |
|-------|---------------|---------|-------------|
| 外殼材質: | Blank : BRASS | 外殼電鍍材質: | Blank : Au  |
|       | I : SPCC      |         | NI : Nickel |



- SPECIFICATIONS :
1. INSERTION FORCE : 44.1N MAX
  2. WITHDRAWAL FORCE : 9.8~39.2N
  3. DURABILITY : 10,000 cycles
  4. CURRENT RATING : 0.5A
  5. VOLTAGE RATING : 40V AC MAX
  6. DIELECTNIC STRENGTH : 500V AC MIN
  7. CONTACT RESISTANCE : 30 mΩ MAX
  8. INSULATION RESISTANCE : 100 MΩ MIN
  9. OPERATING TEMPERATURE : -25°C ~ +85°C

|          |                  |       |        |
|----------|------------------|-------|--------|
| 7        | 更新外殼接線樣式         | Jack  | 101415 |
| 6        | 新增PCB LAYOUT尺寸   | Jack  | 112414 |
| 5        | 新增PCB LAYOUT尺寸   | Jack  | 112014 |
| 4        | 更新料號及新增外殼材質和鍍層選項 | Jack  | 111214 |
| 3        | 新增PCB LAYOUT     | Jack  | 050714 |
| 2        | 更新圖面             | Jack  | 030714 |
| 1        | 更新為A0版           | Jack  | 011314 |
| ITEM NO. | DESCRIPTION      | DRAWN | DATE   |

**CONTACT** 建倚科技股份有限公司  
**CONTACT TECHNOLOGY CORP.**

TOLERANCE UNLESS OTHERWISE STATED :  
 Up to 5 ±0.2  
 Above 5 ~ 15 ±0.3  
 Above 15 ~ 30 ±0.4  
 Above 30 ~ 50 ±0.5  
 Angle ±0.3°

3RD. ANGEL'S

UNITS MM

|              |          |           |         |                             |
|--------------|----------|-----------|---------|-----------------------------|
| DRAWN BY:    | DATE     | MAT'L     | TITLE   | CONNECTOR                   |
| Jack Lu      | 10/14/15 |           | MODLE   | HDMI A TYPE 夾板公頭 板厚:1.6mm   |
| CHECKED BY:  | DATE     | FINISH    | DWG NO. | HDMI-19APL2xx-S165          |
| Jacky Chen   | 10/14/15 | SCALE     | 1 : 1   | PART NO. HDMI-19APL2xx-S165 |
| APPROVED BY: | DATE     | SHEET NO. | 1 of 1  |                             |
| Tony Kao     | 10/14/15 |           |         |                             |