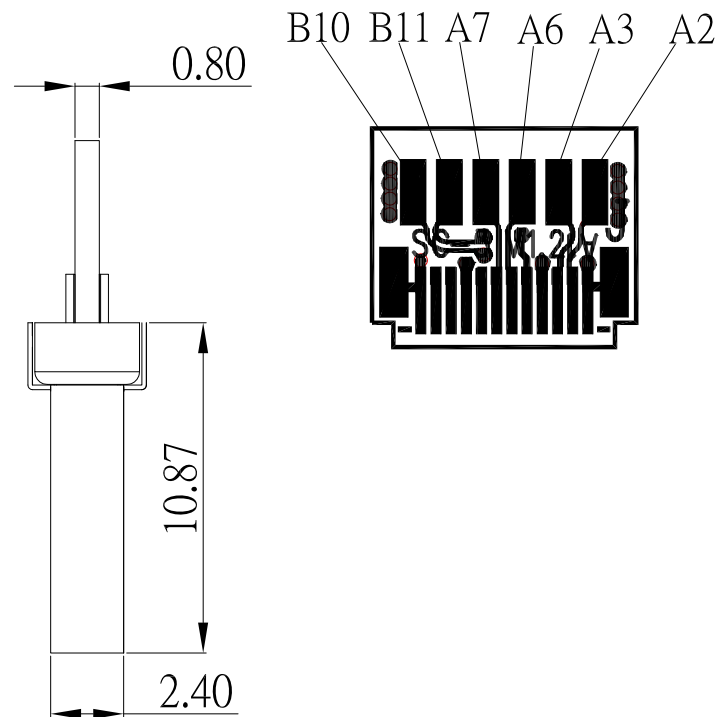
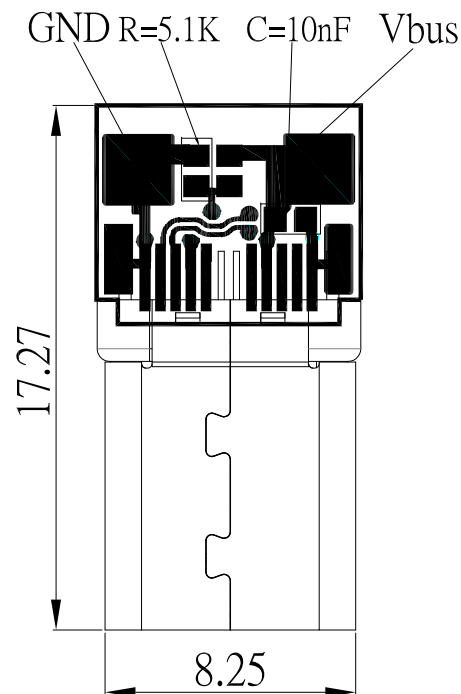




SBC-241PL9-31x-S271

鍍層厚度:

Blank : 1u"
2 : 15u"
3 : 30u"



SPECIFICATIONS

Electrical:

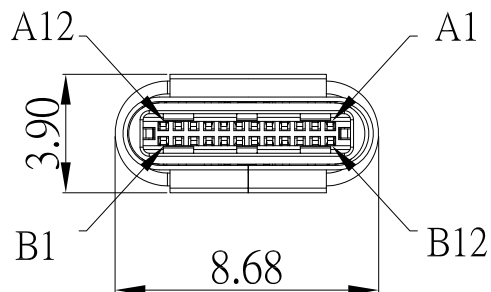
1. Rating: 3.0A
2. Contact Resistance: 40 mΩ Max
3. Insulation Resistance: 100 MΩ Min
4. Dielectric Withstanding Voltage: 100V AC

Material:

1. Housing: LCP, UL 94V-0
2. Contact: Copper Alloy
3. Shell: SUS

Finish:

1. Contact: Plated Gold in Mating Area ;
Tin Plated on Solder Balls ;
Nickel under plated overall
2. Shell: Nickel under Plated surface layer



前端接口

CONTACT 建倚科技股份有限公司
CONTACT TECHNOLOGY CORP.

TOLERANCE UNLESS OTHERWISE STATED:
Up to 5 ±0.2
Above 5 ~ 15 ±0.3
Above 15 ~ 30 ±0.4
Above 30 ~ 50 ±0.5
Angle ±0.3°

3RD. ANGEL'S

UNITS MM

DRAWN BY:	DATE	MAT'L	TITLE	CONNECTOR
Jack Lu	12/25/17		MODLE	USB 3.1 TYPE C 公頭 铆合带板 带电阻5.1K L10.87
CHECKED BY:	DATE	SCALE	DWG NO.	SBC-241PL9-31x-S271
Jacky Chen	12/25/17	1 : 1	PART NO.	SBC-241PL9-31x-S271
APPROVED BY:	DATE	SHEET NO.	1 of 1	
Tony Kao	12/25/17			

1	更新MODLE	Jack	122517
ITEM NO.	DESCRIPTION	DRAWN	DATE