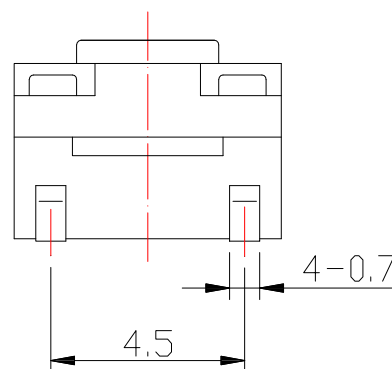
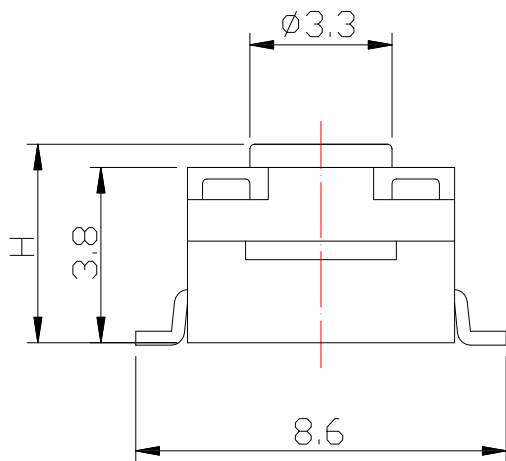


CIRCUIT DIAGRAM

KNOB HEIGHT

Model	H(mm)
TS-A20WS	4.3
TS-A20WSA	5.0
TS-A20WSAL	5.5
TS-A20WSQ	6.0
TS-A20WSQL	6.5
TS-A20WSB	7.0
TS-A20WSR	7.5
TS-A20WSC	8.0
TS-A20WSCL	8.5
TS-A20WSD	9.5
TS-A20WSDL	10.0
TS-A20WSK	13.0

P.C.B LAYOUT



SPECIFICATIONS

Rating	DC 12V 50mA Max.
Contact Resistance	100mΩ Max.
Travel	0.25 ± 0.10 mm
Operating Force	2   180 ± 50gf   3   250 ± 50gf
Operating Life (cycles)	50,000

**CONTACT** 建倚科技股份有限公司  
CONTACT TECHNOLOGY CORP.

TOLERANCE UNLESS OTHERWISE STATED:  
 Up to 5 ±0.2  
 Above 5 ~ 15 ±0.3  
 Above 15 ~ 30 ±0.4  
 Above 30 ~ 50 ±0.5  
 Angle ±0.3

3RD. ANGEL'S



UNITS MM

DRAWN BY: Jack Lu DATE: 03/23/20  
 CHECKED BY: Jacky Chen DATE: 03/23/20  
 APPROVED BY: Tony Kao DATE: 03/23/20

MAT'L		TITLE	SWITCH
FINISH		MODLE	防水型 TACT SWITCH SMT TYPE
SCALE	1 : 1	DWG NO.	TS-A20WSx-x-S138
SHEET NO.	1 of 1	PART NO.	TS-A20WSx-x-S138
		SIZE	A4
		VER	R1

ITEM NO.	DESCRIPTION	DRAWN	DATE
1	新增高邊項	Jack	032320